



FIERES

WHITEPAPER

VERSION -1.0 | 10-APRIL-2023
PROOF-OF-AUTHORITY (POA)

Table of Contents

Disclaimer	1
Introduction	2
Overview of the project and its objectives	4
Short explanation of the Technology and approach employed	9
Understanding POA	10
Mission & Vision	14
Technology	16
Cryptographic Foundations	16
Blockchain Architecture	18
Consensus Mechanisms	20
Coin and Cryptoeconomics	23
Coin Purpose and Utility	24
Tokenomics and Distribution	25
Applications and Use Cases	26
Target Markets and Customers	26
Real-world applications of the project	28
Demonstration of how the Project solves existing problems	30
Examples of how the project can be used to create new solutions	33
Technical Capabilities	35
Project's Unique Features	36
For Developers	38
	40
	42
Cross-chain Bridge Application	43
Supported Blockchain Networks	45
Benefits of Interoperability	48
Fierex's Centralised Exchange	50
Business Use Cases of Fierex Centralised Exchange	52
Fieres's NFT Marketplace	53
P2E Racing Games	55
How will the user access the Fieres racing game?	57
Steps involved to start racing in Fieres's Racing Game	58
User Rewards & Business Logic	59

TABLE OF CONTENTS

DEX with AMM & IDO Launchpad	60
DEX Wallet	64
Features	64
StableCoin	66
How does Stablecoin benefit the economy of Fieres Blockchain?	68
DEX Affiliate / Referral Marketing	69
Remittance	72
Remittance on Fieres Blockchain	73
How the cost and speed of cross-border money transfers can impact the lives of individuals and families who rely on Remittance services?	74
Challenges of traditional remittance methods	75
Role of stablecoins in remittance	76
Future of remittance	77
Metaverse Virtual Store	78
Metaverse meeting/convention platform with VR enabling	79
Business Use Cases	81
How does Metaverse meeting/convention platform with VR enabling revolutionise networking?	83
Networking Features of the Platform	84
Benefits	85
Metaverse for Music Artists	86
Business Use Cases	89
Web 3 Domain and Identities	91
Overview	91
Features	93
Roadmap and Development Plan	95
Milestones and Timelines	95
Technical and Business Development Priorities	96
Token Disclaimer	115
Conclusion	125
Recap of Contributions and Innovations	125
Future Work and Research Directions	127
Call to action for stakeholders to participate in the ecosystem	129

Disclaimer

The comments below do not constitute investment advice or any other form of advice on financial instruments, financial products, financial services, or digital assets. They are intended to provide you with a general understanding of the situation. The following comments do not constitute an offer to enter into an agreement to buy or sell financial instruments and financial products or an invitation to make such an offer for the purchase or sale of any specific digital asset. The value of cryptocurrencies fluctuates significantly. A decrease in value or a complete loss is possible at any time.

Introduction

Background information on the problem Fieres aims to solve

The emergence of Blockchain technology has revolutionised finance and commerce. However, there are several obstacles that hinder its practical application. Fieres Blockchain seeks to overcome these challenges and create a more accessible, engaging, and scalable Blockchain platform.

Many Blockchain platforms struggle to build and maintain a strong community of developers and users. This lack of engagement and support can impede the growth and sustainability of the Blockchain ecosystem. Fieres Blockchain seeks to resolve this issue by providing a diverse range of products and services that cater to a wide range of users. These include a play-to-earn game, an NFT marketplace, a centralised exchange, a decentralised exchange, integration for optimised DEX-based information, an IDO launchpad, a DEX wallet, a stablecoin launched on Fieres Chain, a virtual store platform based on the metaverse, a decentralised Affiliate/Referral Marketing Platform, Web 3 domains and identities, a remittance-based application, a metaverse meeting/convention platform with VR, and a metaverse for music artists, among other features.

By offering a variety of Blockchain products and services, Fieres Blockchain aims to attract and retain a robust community of developers and users. This community engagement is crucial to the growth and sustainability of the Blockchain ecosystem, as it stimulates innovation and the creation of new Blockchain use cases.

Another challenge that Fieres Blockchain seeks to address is the lack of scalability and transaction speed that many existing Blockchain networks encounter. This has limited the practical applications of Blockchain technology, particularly in areas such as financial transactions and supply chain management. Fieres Blockchain tackles this issue by offering a stable, fixed block time Proof-of-Authority consensus mechanism that guarantees a stable rate of block production. This mechanism is suitable for managing financial transactions and supply chains.

Furthermore, Fieres Blockchain is committed to addressing the issue of environmental sustainability in the Blockchain industry. Many existing Blockchain networks require significant energy to operate, contributing to the carbon footprint and harming the environment. Fieres Blockchain implements an eco-friendly approach, utilising a Proof-of-Authority consensus mechanism that reduces the energy consumption required for Blockchain operations.

In conclusion, Fieres Blockchain aims to overcome the obstacles facing traditional Blockchain networks and create a more accessible, engaging, and scalable Blockchain platform. By adopting an eco-friendly approach and providing a range of products and services, Fieres Blockchain aspires to promote widespread adoption and mainstream use of Blockchain technology. As the Blockchain industry evolves, Fieres Blockchain is well-positioned to play a significant role in its development.

Overview of the project and its objectives

Nexarise has announced the launch of its EVM-compatible Blockchain called 'Fieres Blockchain'. The new Blockchain is based on the Proof-of-Authority (PoA) consensus algorithm, which offers a secure and high-throughput method of validating and processing transactions. The launch of Fieres Blockchain will feature a Racing-based P2E Game, NFT Marketplace, Fierex Centralised Exchange, DEX launch with GraphQL utilised for optimised DEX-based information, IDO launchpad, Dex Wallet, Web3 domains and identities, Stablecoin launched on Fieres Chain, Metaverse-based virtual store platform, Decentralised affiliate/ referral marketing application, Remittance-based application, Metaverse meeting/convention platform with VR, and a Metaverse for Music Artists, among other features.

The PoA consensus mechanism utilised by Fieres Blockchain employs a fixed block time, ensuring a stable rate of block production. This makes it an ideal choice for managing supply chains and financial transactions. Furthermore, Fieres Blockchain is an open system that provides developers with the necessary tools to create smart contracts and decentralised applications. These tools include Solidity and Remix IDE, which support multiple languages and contribute to the platform's flexibility and versatility.

Fieres Blockchain's features include faster transaction times, scalability, support for decentralised applications, and its native coin, 'Fiero', incentivising developers to create and deploy applications on the Blockchain. With a claimed transaction per second (TPS) capacity of 3500+ TPS and low block complexity, Fieres is well-positioned to disrupt the Blockchain space. It will provide businesses and users with their own Blockchain without requiring time and resources to set up and maintain a traditional mining setup.

Fieres has developed a bridge for Cross-chain utility between Ethereum, Polygon, and BSC & Avalanche, minting 500 million tokens on either chain and maintaining a pegged value to FIERO coin. Users will need to lock FIERO within the bridge contracts in order to mint Pegged tokens on each chain.

The launch of Fieres Blockchain signifies a significant milestone for Fieres and aligns with the company's mission to enhance the accessibility of Blockchain technology for businesses and individuals. With the PoA consensus, businesses and users can now reap the benefits of their own Blockchain without the need to invest time and resources in establishing and maintaining a traditional mining setup.

Objectives of Fieres Blockchain are as follows

- ◆ Provide a secure and efficient Blockchain platform
- ◆ Increase accessibility to Blockchain technology
- ◆ Introducing a PoA consensus mechanism
- ◆ Enable a wide range of decentralised applications
- ◆ Incentivise developers and miners
- ◆ Create a highly secure and efficient digital asset system
- ◆ Providing a bridge for cross-chain utility
- ◆ Disrupt the Blockchain space
- ◆ Introduce innovative features and services

In the near future

The company believes that advancements will enable it to create highly secure and efficient digital assets while also allowing users to access a range of services quickly and efficiently.

Here's a brief description of each upcoming feature in Fieres Blockchain:

- **Racing-based P2E:** A play-to-earn system that rewards gamers with tokens for playing games on the Fieres Blockchain. This feature aims to incentivise more users to join the platform.
- ♦ **NFT Marketplace:** A marketplace for buying, selling, and trading non-fungible tokens (NFTs) on the Fieres Blockchain. This will enable creators to monetise their digital content and provide collectors with a secure platform for trading NFTs.
- ♦ **Fierex Centralised Exchange:** A centralised exchange that allows users to trade cryptocurrencies and tokens on the Fieres Blockchain. The exchange will offer a user-friendly interface, high liquidity, and low trading fees.
- ♦ **Dex Wallet:** A mobile wallet that enables users to store and manage their tokens on the Fieres Blockchain.
- ♦ **Stablecoin:** A stablecoin that is pegged to the value of a fiat currency, commodity, or cryptocurrency. This will enable users to hedge against volatility in the cryptocurrency market.
- ♦ **Metaverse virtual store platform:** A platform that enables users to buy and sell virtual items and assets in the metaverse on the Fieres Blockchain.
- ♦ **Decentralised Affiliate/Referral Marketing Platform:** A decentralised multi-level marketing (Affiliate/Referral Marketing Platform) platform that enables users to earn rewards for referring new users to the Fieres Blockchain ecosystem.

- ◆ **Remittance-based application:** An application that enables users to send and receive money across borders using the Fieres Blockchain.
- ◆ **Metaverse meeting/convention platform with VR enabling:** A platform that enables users to host and attend meetings and conventions in the metaverse using virtual reality (VR) technology.
- ◆ **Metaverse for Music Artists:** Fieres Metaverse for Music Artists will be an innovative platform that leverages virtual reality and blockchain technology to provide music artists with a digital realm to connect with fans, showcase their talent, and create immersive experiences.
- ◆ **DEX with AMM:** Fieres is developing a decentralised exchange (DEX) with an automated market maker (AMM) feature. This DEX will allow users to trade cryptocurrencies in a secure and decentralised way.
- ◆ **IDO Launchpad:** Fieres is developing an Initial DEX Offering (IDO) launchpad, providing a platform for emerging projects to raise funds and launch tokens through the Fieres ecosystem.
- ◆ **WEB3 Domains and Identities Solution:** Fieres Blockchain will introduce its own Web 3 domain and identity solutions, revolutionising the way domains are managed and empowering individuals with self-sovereign control over their digital identities.

Fieres Blockchain offers a unique business use case by providing a comprehensive ecosystem that leverages its Blockchain technology and showcases multiple products that cater to different industries and use cases to attract and engage the community. The platform's diverse range of offerings provides a wide range of options for businesses to leverage Blockchain technology.

Additionally, Fieres Blockchain's use of the latest technologies, such as GraphQL and VR, demonstrates the platform's commitment to staying ahead of the curve and providing cutting-edge solutions for its users.

What sets Fieres Blockchain apart is enabling the community to participate and profit from the same environment they are contributing to. By fostering a vibrant and collaborative ecosystem, Fieres Blockchain creates a win-win situation for all participants.

Short explanation of the Technology and approach employed

EVM compatibility for Fieres Blockchain

EVM compatibility for Fieres Blockchain means that it can run smart contracts written in the Solidity programming language, which is the standard language used for Ethereum-based smart contracts. EVM stands for Ethereum Virtual Machine, and it is a virtual machine that executes smart contracts on the Ethereum Blockchain.

Fieres Blockchain is compatible with the EVM, which means that developers can use existing Solidity-based smart contracts and deploy them on Fieres Blockchain. This allows for easier migration of decentralised applications (dApps) from Ethereum to Fieres Blockchain, as well as interoperability with other EVM-compatible Blockchains.

EVM compatibility is achieved by implementing the EVM bytecode execution engine on the Blockchain platform. This allows the Blockchain to interpret and execute smart contracts written in Solidity, just as they would be executed on the Ethereum network.

In addition to supporting Solidity-based smart contracts, Fieres Blockchain also supports another programming language, such as Remix IDX. This allows developers to choose the programming language they are most comfortable with to build their decentralised applications on Fieres Blockchain.

Understanding POA

POA provides a reliable network for companies and other organisations to build distributed applications through its implementation of the QBFT, IBFT 2.0, and Clique proof of authority consensus protocols.

Definition

PoA is a consensus mechanism that enables trustless consensus in a permissioned Blockchain network. In this type of consensus, a set of approved validators are known and trusted for running the consensus algorithms. Each identified validator is responsible for creating and verifying blocks on the Blockchain. This system allows for faster block creation and reduced latency.

Workings

The PoA consensus algorithm works by assigning a specific validator to each block of transactions. Each validator is responsible for verifying the transactions and appending the block to the Blockchain. This removes the need for miners to compete for rewards and reduces the cost of running a Blockchain network.

Explanation

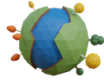
Unlike other consensus mechanisms, like Proof of Work (PoW) or Proof of Stake (PoS), PoA requires that participants prove their identity and authority before they can be selected as validators. This requires validators to pass a series of identity verification procedures. Then, the validators must follow a standard protocol for setting up their nodes so that all validators can connect to the network and begin validating transactions.

These identities are selected by the network participants, which could include block producers, validators, or other trusted entities. The individuals or entities are selected for their trustworthiness and for their ability to correctly operate the system and handle the responsibilities associated with verifying blocks.

The PoA consensus algorithm ensures the network is secure from malicious actors who try to manipulate the network, as the validators are held to a higher level of accountability. Additionally, since the participants are selected based on their trustworthiness and not on their stake in coins, PoA consensus eliminates the potential problem of centralisation that can occur with PoW consensus.

By using PoA, the network is able to quickly and securely validate transactions, as validators create new blocks that are awarded to them.

Features



Trusted Environment



Create Private & Permissioned Networks



Comparison



Infrastructure

- ***Trusted Environment***

PoA consensus protocols provide a trusted environment between known participants, such as in a consortium.

- ***Create Private & Permissioned Networks***

Additionally, it can be used to create private and permissioned networks, which can be used to increase the privacy and security of the network.

- ***Comparison***

PoA consensus protocols also provide faster block times and much higher transaction throughputs compared to the Ethash proof of work consensus protocol used on the Ethereum Mainnet.

- ***Infrastructure***

In this way, POA provides an efficient, secure, and reliable infrastructure for distributed applications and smart contracts.

PoA consensus protocol is secure, reliable and efficient, making it an ideal choice for enterprise and consortium networks. It also has the ability to integrate with other enterprise applications, making it an ideal choice for businesses.

Cross-Chain Utility

Cross-chain utility refers to the ability of a Blockchain or cryptocurrency to interact with other Blockchains or cryptocurrencies, even if they have different protocols or architectures. This allows users to transfer assets or data between different Blockchains, which can be useful for a variety of purposes, such as decentralised finance (DeFi), asset transfer, interoperability, and scalability.

Fieres Blockchain benefits from the cross-chain utility in several ways. Here are some examples:

- ♦ ***Improved Liquidity:*** By enabling cross-chain transactions, Fieres Blockchain accesses liquidity pools on other Blockchains, which can help to improve the liquidity of Fieres' own ecosystem. This can enable Fieres users to access a wider range of assets and services, which can improve the overall user experience.
- ♦ ***Interoperability:*** Fieres Blockchain uses the cross-chain utility to interact with other Blockchains and exchange data, which can be useful for creating more complex applications or systems that require data from multiple Blockchains.
- ♦ ***Scalability:*** Cross-chain utility can also be used to improve scalability by allowing transactions to be processed on different Blockchains simultaneously. This can help to reduce congestion on Fieres Blockchain and improve transaction speeds.
- ♦ ***Diversification:*** Cross-chain utility can enable users to transfer their assets between different Blockchains, which can be useful for diversifying their holdings and reducing their risk exposure. This can make Fieres Blockchain more attractive to users who value diversification and risk management.

Mission & Vision

Mission

Fieres is a pioneering Blockchain project that seeks to create a completely new way of exchanging digital information.

Our mission is.....

- ◆ To create an open, secure and permissionless Blockchain platform to securely and efficiently record, store, and transfer digital information, such as financial transactions, digital contracts, and other digital assets.
- ◆ To make Blockchain technology accessible to everyone, from consumers to banks and institutions, enabling them to utilise its potential to revolutionise the way business and data are handled.
- ◆ To create an efficient, secure, and transparent platform capable of handling a high volume of transactions while maintaining its integrity.
- ◆ To provide a safe and secure infrastructure to facilitate the secure and efficient transfer of value between users.

Vision

Blockchain technology has the potential to revolutionise many aspects of our lives, including financial services, healthcare, real estate, and more.

At Fieres, we have a passionate vision of how Blockchain can transform the world. We believe that Blockchain can enable unprecedented levels of transparency, decentralisation/centralisation, and cost efficiency. We strive to create a future where Blockchain can be used to empower individuals, create stronger communities, and build a more secure and prosperous world. We are committed to advancing the Blockchain revolution and are actively involved in a range of projects, from cryptocurrency to enterprise-level applications. We believe that decentralised, resilient networks will enable the world's most innovative projects and create a fairer, more equitable future.

Technology

Cryptographic Foundations

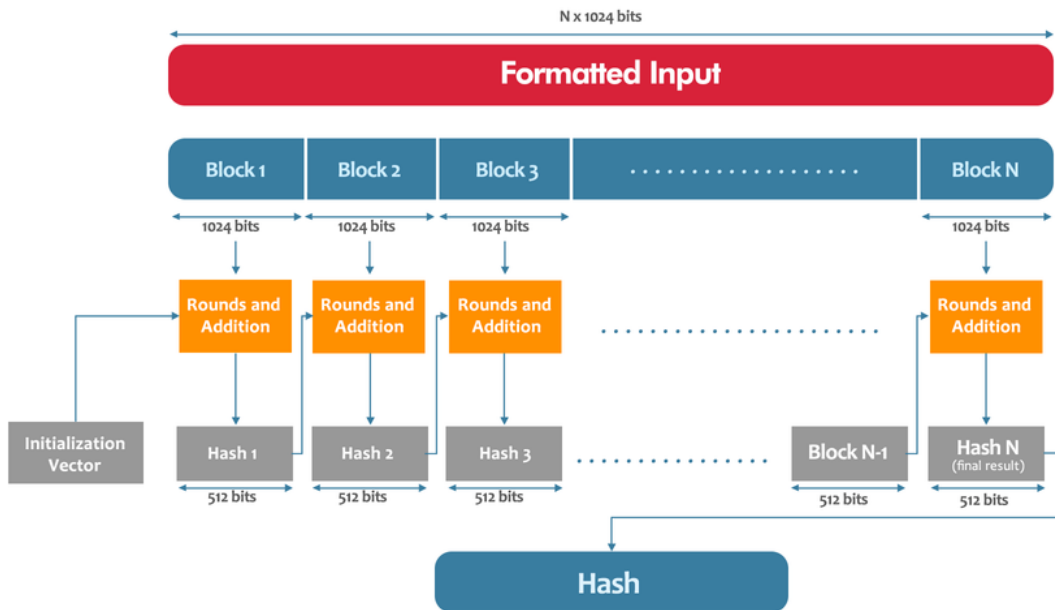
Fieres Blockchain utilizes SHA-256, SHA-512, RIPEMD, and Keccak-256 hashing algorithms as part of its cryptographic foundation. These algorithms play a crucial role in ensuring the integrity and security of the blockchain network.

SHA-256 is a widely adopted cryptographic hash function that generates a fixed-size 256-bit output from any input. It is employed in Bitcoin and numerous other cryptocurrencies as part of their proof-of-work (PoW) consensus mechanism. SHA-256 is renowned for its robustness and resistance to tampering or collision attacks.

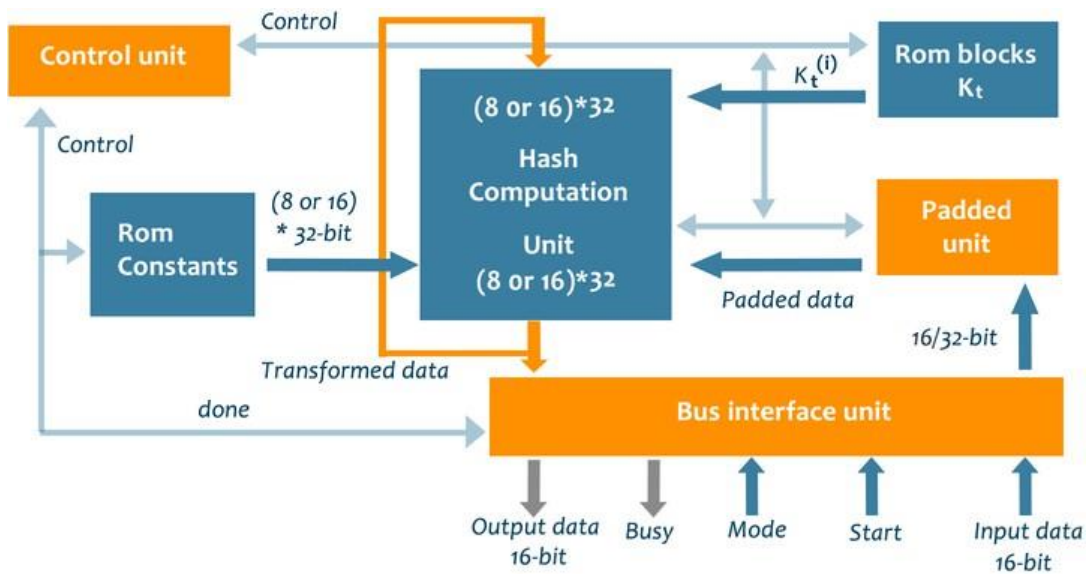
SHA-512, on the other hand, is a stronger variant of SHA-256, producing a 512-bit output from an input. Fieres Blockchain incorporates SHA-512 in its cryptographic foundation to enhance security and preserve the immutability of transactions.

In addition to SHA-256 and SHA-512, Fieres Blockchain also leverages RIPEMD and Keccak-256 hashing algorithms. RIPEMD is a cryptographic hash function that offers an alternative to SHA-256, while Keccak-256 is another widely used algorithm known for its resistance to attacks.

By employing these cryptographic algorithms, Fieres Blockchain ensures the integrity and confidentiality of data, providing a robust and secure platform for transactions and digital assets.



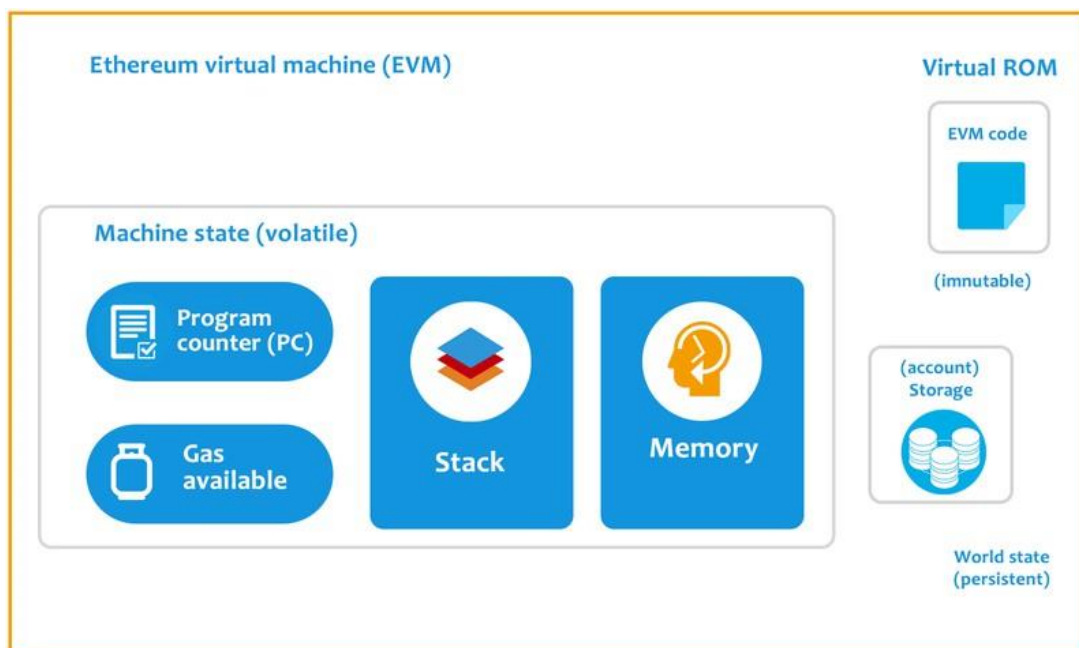
SHA 512 Hashing Algorithm



Integration of SHA 256 and SHA 512

Blockchain Architecture

Fieres Blockchain architecture is based on the Ethereum Virtual Machine (EVM) and is designed to provide a secure and efficient platform for executing smart contracts and facilitating decentralised transactions. The Fieres Blockchain uses a block-based data structure in which each block contains a list of validated transactions and a reference to the previous block, forming a chain of blocks that cannot be altered without consensus from the network.



Fieres Blockchain supports the execution of smart contracts, which are self-executing contracts with the terms of the agreement between buyer and seller being directly written into code. Smart contracts can be used for a wide range of applications, including supply chain management, digital identity, and decentralised finance. These smart contracts are executed using the EVM, which allows developers to write and deploy decentralised applications (DApps) on the Blockchain.

Fieres Blockchain uses Proof of Authority (PoA) as the consensus mechanism, which requires a group of pre-approved nodes to validate transactions and maintain the integrity of the Blockchain.

This consensus mechanism is designed to be more energy-efficient than Proof of Work (PoW) and faster than Proof of Stake (PoS). This allows for a high level of transaction throughput, making Fieres Blockchain suitable for high-volume applications.

The Blockchain employs a peer-to-peer network protocol in which nodes communicate with each other to maintain a distributed ledger of all transactions. The protocol is designed to be secure and efficient, with SHA-256 and SHA-512 cryptographic algorithms used to prevent tampering or fraud. Private and public keys are used to authenticate users and validate transactions.

Finally, Fieres Blockchain is designed to be interoperable with other Blockchain platforms, enabling cross-chain communication and integration with other decentralised applications. This allows for greater flexibility, scalability, and integration with other Blockchain-based solutions. The overall goal of Fieres Blockchain architecture is to provide a secure, efficient, and scalable platform for executing smart contracts and facilitating decentralised transactions.

Integration of Smart Contracts

Smart contracts in FIERES are written in Solidity, a programming language specifically designed for creating smart contracts on the Ethereum Blockchain. Solidity is a high-level language that is similar to JavaScript and is used to write programs that run on the Ethereum Virtual Machine (EVM). The EVM is a decentralised virtual machine that is capable of executing smart contracts.

Once a smart contract is written in Solidity, it can be compiled into bytecode, which is a low-level representation of the code that can be executed by the EVM. The bytecode is then deployed to the FIERES Blockchain, where it becomes a permanent part of the Blockchain and can be executed by any node in the network.

Smart contracts in FIERES are used to execute self-executing contracts or agreements by automating the process of verifying and executing the terms of the agreement. Smart contracts are triggered by certain events or conditions, such as the completion of a task, the receipt of a payment, or the delivery of goods. Once the conditions are met, the smart contract automatically executes the terms of the agreement.

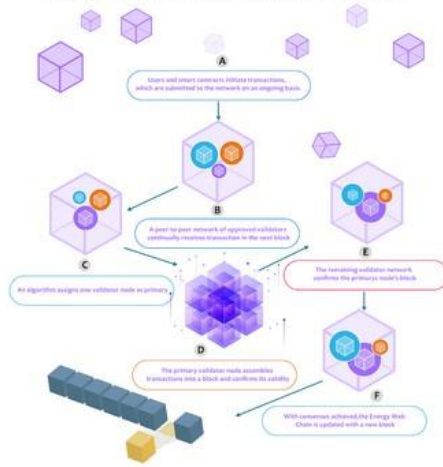
For example, a smart contract could be used to automate the process of buying and selling real estate. The terms of the agreement, such as the sale price, the transfer of ownership, and the conditions of the sale, could be encoded into a smart contract. The smart contract could be programmed to automatically execute the transfer of ownership and the payment of funds when the conditions of the agreement are met, such as the completion of a home inspection or the receipt of a down payment.

Smart contracts in Fieres are tamper-proof and transparent, meaning that once they are deployed to the Blockchain, they cannot be modified or deleted. This provides a high level of security and trust in the execution of the contract, as all parties can see the terms of the agreement and can verify that the contract is executing as intended.

Consensus Mechanisms

The FIERES Blockchain utilises a consensus algorithm known as Proof of Authority (PoA) to validate transactions and create new blocks on the Blockchain.

Figure 3: The Energy Web's Proof-of-Authority (PoA) Consensus Mechanism



Proof of Authority

Proof of Authority

Cody (update)

Current Ethereum Account: 0x07239c2ab5f3640aca9d976a97dc1b6e5b57b75c

Administrators	Validators	Node Status
Current Admins		Alias
0x07239c2ab5f3640aca9d976a97dc1b6e5b57b75c	Cody (You)	VOTE AGAINST
0xeb64d1efc1fbc4e94a8cfff3e50b8e5cfff0c1d7d	Stephen	VOTE AGAINST
0x55c01bd8e5e25863252bd0353363de9fcb1bd8f7	Estifanos	VOTE AGAINST
0xf22210cd5930f0d194bf38e52d80f3c02d5c4743	Daehee	VOTE AGAINST
Ex: 0x178f5e7b3CE6779DBaeDEB907010601A8c1e3118	Ex: Admin	PROPOSE

In a PoA consensus algorithm, a set of approved nodes (also called validators or authorities) are responsible for creating new blocks and validating transactions. These nodes are typically selected based on their reputation, expertise, or stake in the network.

When a user submits a transaction to the FIERES Blockchain, it is initially verified by one of the validators. The validator checks that the transaction is valid, meaning it adheres to the rules of the Blockchain and is not duplicate or fraudulent. Once the transaction is verified, it is added to a block.

The approved validators in the FIERES Blockchain take turns in creating new blocks. Each validator is responsible for creating a set number of blocks, after which they pass the baton to the next validator in the list. This helps ensure that the Blockchain is decentralised and secure while maintaining a high level of efficiency and speed.

One advantage of using PoA in the FIERES Blockchain is that it eliminates the need for miners to compete for block rewards. In other consensus algorithms, such as Proof of Work (PoW), miners need to solve complex mathematical problems to create new blocks and earn rewards. This can result in high energy consumption and slow transaction times. With PoA, the validators are not rewarded for creating new blocks, but instead, they are incentivised to maintain the security and integrity of the network.

Another advantage of PoA in Fieres is that it is resistant to Sybil attacks, where a single entity creates multiple identities to control the network. Since the validators are selected based on their reputation and expertise, it is much more difficult for a malicious actor to gain control of the network.

In the Fieres Blockchain, the PoA consensus algorithm thoroughly ensures that only approved nodes can create new blocks and validate transactions. This helps maintain the Blockchain's integrity and prevent malicious actors from manipulating the network.

The most interesting part of using PoA in Fieres is that it can support high transaction throughput and low latency. Since only approved nodes are responsible for validating transactions, the network can process transactions quickly and efficiently.

Coin and Cryptoeconomics

Purpose

Fiero (FIERO) is the native cryptocurrency of the Fieres Blockchain ecosystem. In the Fires Blockchain ecosystem, FIERO Coin plays a crucial role in enabling transactions to occur with a predictable value. This is particularly important in situations where the value of other cryptocurrencies may fluctuate significantly over short periods of time, making it difficult for parties to transact with confidence. FIERO Coin provides a reliable way to store and transfer value within the Fires Blockchain ecosystem.

FIERO Coin can also facilitate the creation of decentralised applications (DApps) that require a stable value to function effectively.

One of the main functions of the FIERO coin is as a medium of exchange. Users can send and receive FIERO coins as a means of payment for goods and services on the Fieres Blockchain. In addition, FIERO coins are used to pay transaction fees for executing smart contracts and other transactions on the network.

Coin Utility

Value transfer within the Fieres ecosystem:

FIERO coins serve as a medium of exchange, enabling value transfer between users within the Fieres Blockchain ecosystem. FIERO coins can be used to pay for goods and services or sent between users as a form of payment. This enables quick and secure transactions without the need for intermediaries such as banks or payment processors.

Transaction Fees & Smart Contracts: FIERO coins can also be used to pay transaction fees for executing transactions and smart contracts within the Fieres Blockchain ecosystem.

- ◆ Transaction fees help to incentivise miners or validators to process transactions and maintain the security of the network.
- Smart contracts are self-executing contracts that can be programmed to execute automatically based on certain conditions, and FIERO coins can be used to trigger and execute these contracts.

Utilisation on other platforms: FIERO coins may be used as a means of payment on other platforms, or they may be used to access certain services or features within Fieres Blockchain's broader ecosystem.

Reward system: FIERO coins are used as a reward system within the Fieres Blockchain ecosystem. For example, users may be rewarded with coins for contributing to the network by staking, or providing other valuable services. This helps to incentivise users to contribute to the network and maintain its security and functionality.

Tokenomics and Distribution

NAME: FIERES

SYMBOL: FIERO

DECIMALS: 18

TOTAL SUPPLY: 500,000,000

BLOCKCHAIN: FIERES CHAIN

1. SEED SALE (5% OF TOTAL SUPPLY)

2. PRIVATE SALE (10% OF TOTAL SUPPLY)

3. PRE SALE (10% OF TOTAL SUPPLY)

4. PUBLIC SALE (24% OF TOTAL SUPPLY)

5. AIRDROP (4% OF TOTAL SUPPLY)

6. ADVISOR (2% OF TOTAL SUPPLY)

7. TECHNICAL TEAM (5% OF TOTAL SUPPLY)

8. MARKETING (15% OF TOTAL SUPPLY)

9. ECOSYSTEM (15% OF TOTAL SUPPLY)

10. RESERVE (10% OF TOTAL SUPPLY)



Applications and Use Cases

Target Markets and Customers

The emergence of Blockchain technology has been revolutionary in the industry. The technology has enabled people to have complete control over their digital assets, bringing an entirely new level of transparency and trust. Now, with the launch of Fieres Blockchain, the possibilities are even greater.

Investors: Investors who are interested in cryptocurrency and Blockchain technology could be potential customers of Fieres Blockchain's native token.

Individuals seeking financial inclusion: Fieres Blockchain's stablecoin could be advantageous for individuals who reside in countries with volatile fiat currencies or have limited access to traditional banking services.

E-commerce businesses: Fieres Blockchain's stablecoin feature could be appealing to e-commerce businesses that require a stable digital currency for their online transactions.

Cross-border transactions: Fieres Blockchain's fast and low-cost transactions could be attractive to individuals and businesses that regularly participate in international transactions.

Financial institutions: Fieres Blockchain's smart contract functionality could be valuable for financial institutions that need to automate their transaction processes and reduce expenses.

Fintech enthusiasts: Fintech enthusiasts can explore the possibilities of this platform, while technology specialists can utilise it to develop innovative new products and services.

Organisations: Organisations can now securely store and transfer data, and assets, and conduct transactions without relying on any external third-party servers.

Small Businesses: Small businesses can benefit from an efficient and secure process to manage digital contracts and payments.

Decentralised applications (dApps) developers: Fieres Blockchain's open-source nature and developer-friendly platform could attract developers looking to build decentralised applications.

Gamers: Gamers can use the Blockchain to power their games and create in-game incentives for players.

Traders: Traders may be interested in Fieres' upcoming centralised exchange, DEX launch with GraphQL, and stablecoin, which can all facilitate trading activities.

Creators: Creators may be drawn to the Fieres Blockchain's NFT marketplace, Metaverse virtual store platform, and Racing-based P2E games, which can provide opportunities for content creation and monetisation.

Real-world applications of the project

- ◆ **Payments:** Fieres Blockchain's stablecoin feature can be used for payments between individuals, businesses, and institutions. Its low transaction fees and fast transaction processing make it an attractive payment option.
- ◆ **Remittances:** Fieres Blockchain's cross-border transaction capabilities can be used for remittance payments, allowing individuals to send money across borders quickly and at a low cost.
- ◆ **Supply chain management:** Fieres Blockchain's smart contract functionality can be used for supply chain management, enabling stakeholders to track products and ensure their authenticity and quality.
- ◆ **Identity verification:** Fieres Blockchain's decentralised nature can be used for identity verification, providing a secure and tamper-proof way to verify individuals' identities.
- ◆ **Decentralised applications (dApps):** Fieres Blockchain's developer-friendly platform can be used for building decentralised applications in various fields such as finance, gaming, and social networking.
- ◆ **Micropayments:** Fieres Blockchain's low transaction fees make it an attractive option for micropayments, enabling the monetisation of small transactions that might not be feasible with traditional payment systems.
- ◆ **Gaming:** Fieres Blockchain's fast transaction processing and low transaction fees make it a suitable platform for gaming transactions, such as in-game purchases and rewards.

- ◆ **Real estate:** Fieres Blockchain's smart contract functionality can be used to automate real estate transactions, such as property sales and rental agreements, reducing the need for intermediaries and increasing efficiency.
- ◆ **Digital identity:** Fieres Blockchain's decentralised nature can be used to create a secure and tamper-proof digital identity, enabling individuals to store and manage their personal information and control access to it.
- ◆ **Healthcare:** Fieres Blockchain's secure and decentralised nature can be used to store and manage patient data, enabling healthcare providers to access and share information in a secure and efficient manner.
- ◆ **Voting:** Fieres Blockchain's tamper-proof and transparent nature can be used for voting systems, enabling fair and secure voting processes.
- ◆ **Charity and donations:** Fieres Blockchain's fast transaction processing and low transaction fees can be used for charitable donations, enabling quick and efficient transfer of funds.



Demonstration of how the project solves existing problems

1) **Pain:** The issues related to a Blockchain are: high costs, time, and scalability.

Agitate: Fieres has solved all issues by introducing the Fieres Blockchain, which is based on a Proof-of-Authority consensus algorithm.

Solution: Fieres Blockchain focuses on all four aspects, i.e., Security, High Throughput, Flexibility, and Scalability, to offer efficient speed and lower transaction costs for the users.

2) **Pain:** Each day, thousands of transactions are made into a Blockchain, but the processing speed is very slow, and transactions can be delayed weeks or even months.

Agitate: The current model of the Blockchain system cannot support real-life cases for various reasons.

Solution: Fieres Blockchain, a new, fast-processing Blockchain with the PoA consensus algorithm. It provides higher throughput and guarantees the security of its network through cryptographic code. Real-life business scenarios will be greatly served by this Blockchain.

3) **Pain:** Not every business today has a solid understanding of Blockchain.

Agitate: If we want Blockchain to become the foundation for future applications, it needs to be much more accessible to the general public.

Solution: Fieres Blockchain is the missing link between now and widespread Blockchain adoption. Designed from the ground up to provide our users with fast, secure, and easy-to-use Blockchain technology at an affordable cost, Fieres Blockchain is bringing the promise of Blockchain tech to businesses of all sizes.

4) **Pain:** Blockchain technology is missing a high-capacity framework for enterprise businesses that seek to implement the technology in their infrastructures.

Agitate: A large part of the adoption of Blockchain technology still depends on scaling it to make it more accessible to businesses, and the right network topology is crucial for that.

Solution: The Fieres Proof-of-Authority Blockchain is offering a new way of implementing Blockchains. Its PoA consensus method improves the throughput by 2.5 times while also keeping the latency sufficiently low. Moreover, it uses a layer 2 solution that interacts with Ethereum smart contracts, which makes it possible for developers to build dApps directly on it.

5) **Pain:** There are many hurdles to using smart contracts and decentralised applications, such as having to pay exorbitant transaction fees.

Agitate: Fieres wants to create the Blockchain of Blockchains by building the most flexible, powerful, and developer-friendly platform on the market. This will be accomplished through its unique tech stack, innovative governance model, and open API.

Solution: The Fieres Blockchain is being developed from the ground up with key components of flexibility, modularity, and developer friendliness in mind -- all of which are crucial for a Blockchain that's meant to support various decentralised applications (dApps) and smart contracts over time.

6) **Pain:** Getting started with Blockchain development can be difficult. For developers, finding smart contracts and dApps to use is time-consuming and expensive.

Agitate: And for the non-technical user, they can't use their favourite tool because the dApp they need isn't built yet.

Solution: Fieres provides the tools and services needed to create decentralised applications on top of the Fieres Blockchain. This means that users can fast-track the development of their ideas, creating decentralised applications quickly and efficiently.

7) **Pain:** A decentralised ecosystem is the essential component in the whole Blockchain innovation and achievement.

Agitate: However, to this day, setting up a traditional mining system has been a complex task, requiring technical knowledge as well as a considerable financial investment.

Solution: The Fieres Blockchain offers businesses and users ready-to-use tools for creating dApps with scalable transactions per second (TPS) throughput and low latency without the need for a sustained mining operation.

With its 3500+ TPS capacity and its low block time complexity, Fieres is well-positioned to disrupt the Blockchain space. With just one click, you can deploy your own customised Blockchain on the Fieres platform and start building your dApp or business on it - within minutes!

Examples of how the project can be used to create new solutions

Decentralised finance (DeFi): Fieres Blockchain can be used to create DeFi applications, such as decentralised exchanges (DEXs), lending platforms, and stablecoins. With its EVM compatibility, developers can create these applications using existing Solidity code and tooling.

Supply chain management: Fieres Blockchain can be used to create a transparent and secure supply chain management system, where each step of the supply chain is recorded on the Blockchain. This can help to reduce costs, improve efficiency, and increase trust between suppliers and customers.

Identity verification and authentication: With its PoA consensus mechanism, Fieres Blockchain can provide a secure and decentralised platform for identity verification and authentication. By storing identity data on the Blockchain, businesses can ensure that customer data is protected and that users have control over their own data.

Real estate: Fieres Blockchain can be used to create a transparent and secure platform for real estate transactions, where property ownership and transactions are recorded on the Blockchain. This can help to reduce fraud, increase transparency, and streamline the buying and selling process.

Gaming and entertainment: Fieres Blockchain's EVM compatibility can be used to create decentralised gaming and entertainment applications that allow players to buy, sell, and trade in-game items and assets.

Remittances: Fieres Blockchain can be used to create a fast and secure platform for cross-border remittances. With its PoA consensus mechanism, transactions can be processed quickly and efficiently, reducing the time and cost of sending money across borders.

Digital identity management: Fieres Blockchain can be used to create a secure and decentralised platform for managing digital identities. By storing identity data on the Blockchain, businesses can ensure that customer data is protected and that users have control over their own data.

Decentralised storage: Fieres Blockchain can be used to create a decentralised storage platform where users can securely store and share files. By using encryption and decentralised storage, Fieres Blockchain can provide a secure and reliable platform for data storage.

Voting and governance: Fieres Blockchain can be used to create a transparent and secure platform for voting and governance, where each vote is recorded on the Blockchain. This can help to reduce fraud and increase transparency in voting processes.

Healthcare: Fieres Blockchain can be used to create a secure and decentralised platform for managing healthcare data. By using encryption and decentralised storage, healthcare data can be protected from unauthorised access, and patients can have greater control over their own data.

Decentralised Marketplaces: The Fieres Blockchain can be used to create decentralised marketplaces that enable peer-to-peer transactions without the need for intermediaries. By using the Blockchain to manage transactions, these marketplaces can reduce transaction costs, increase transparency, and promote greater freedom and autonomy for buyers and sellers.

Intellectual Property Management: The Fieres Blockchain can be used to create a secure and transparent intellectual property management system. By using the Blockchain to record and manage intellectual property rights, creators can protect their work from infringement while also enabling transparent and trusted licensing and usage agreements.

Technical Capabilities

- ***Smart Contracts:***

The Fieres Blockchain supports the development and execution of smart contracts, which are self-executing agreements with the terms of the agreement between buyer and seller being directly written into lines of code. This enables a wide range of use cases, from decentralised marketplaces to supply chain management and beyond.

- ***PoA Consensus:***

The Fieres Blockchain utilises a Proof-of-Authority (PoA) consensus algorithm that ensures secure and efficient transaction validation and block production. In the PoA consensus mechanism, a set of trusted validators, known as authorities, are responsible for validating transactions and creating new blocks.

Interoperability:

The Fieres Blockchain supports interoperability between different Blockchain networks and systems, making it easier to exchange data and assets across different platforms.

Scalability:

The Fieres Blockchain is designed to be scalable, with the ability to handle a large number of transactions per second without compromising on performance or security.

Privacy:

The Fieres Blockchain supports different privacy models, allowing users to choose the level of privacy that they require. This can be useful in industries such as healthcare, where data privacy is critical.

Project's Unique Features

Fieres Blockchain features provide a secure and reliable infrastructure for businesses looking to implement Blockchain technology. With their ability to execute smart contracts, these features make Blockchain-based applications highly flexible and powerful.

By offering a secure and reliable platform, businesses can easily develop applications that can be used for various processes, such as financial management, asset tracking, and more.

Better Security: Fieres Blockchain code is written in a way that prevents any malicious activity from occurring. It also provides a secure environment where data and assets cannot be manipulated or stolen.

Faster Transactions: Fieres Blockchain allows for faster transactions than traditional payment systems. This is due to its ability to process transactions simultaneously, making it more efficient.

Cost-effectiveness: The use of distributed ledgers and smart contract technology makes it possible to eliminate intermediaries and reduce costs.

Transparency: All transactions are stored on the Blockchain, making them publicly viewable and consensus-based, providing more accurate data and enabling better trust in the system.

Robust consensus mechanism: Fieres Blockchain includes its robust consensus mechanism (POA). It ensures that transactions are processed securely and efficiently, allowing for quick settlements across the Blockchain.

Interoperability: Fieres Blockchains can interact with different Ethereum-based networks, enabling developers to build distributed applications and take advantage of features available on the different networks.

Flexible Scripting: Fieres Blockchain supports various languages for scripting, making it more versatile for developers to create applications that are tailored to their specific needs.

Immutability: Stored data on the Fieres Blockchain is immutable, ensuring that data and assets are safe from tampering.

Scalability: Fieres Blockchain is capable of scaling with increasing demands and can handle a large number of transactions simultaneously.

Smart contracts: Smart contracts allow users to define the rules under which a transaction can be executed, and they also facilitate the execution of the transaction.

For Developers

DEVELOPMENT PROCESS EASIER:

Firstly, it makes the development process easier since developers can use the same language and tools for their applications. Additionally, these features also provide developers with more flexibility as they can create custom contracts for their projects. This allows for greater scalability and customisation.

SIMPLER:

Developers can use Solidity to write smart contracts that can be deployed directly to the Blockchain. This makes it easier to create a decentralised application without needing to go through the lengthy process of setting up a diversified infrastructure.

FLEXIBILITY:

Developers can use the different tools and languages offered by the networks to create applications that are tailored to their specific needs. This ensures that the applications are customised to the developers' individual requirements.

GREATER SECURITY:

Provide developers with greater security. Solidity allows developers to write safe and secure code that will protect the application from vulnerabilities. This ensures that the code will be resilient to potential malicious attacks.

LOW TRANSACTION COSTS:

One of the biggest benefits of using Fieres Blockchain is the low transaction costs. With these solutions, developers can build and deploy their applications without spending huge sums on transaction fees.

TOKENISATION:

The ability to tokenise assets and other valuable items on the Fieres Blockchain makes it easier for developers to create and manage digital assets. This makes it easier to create new use cases and industries in the Blockchain space.

EVM (ETHEREUM VIRTUAL MACHINE) BASED STANDARDS

This means that developers and users of the Fieres Blockchain can take advantage of a wide range of existing Ethereum-based tools and standards, such as ERC-20 tokens, ERC-721 NFTs, and other EIPs that have been proposed and implemented in the Ethereum ecosystem.

Cross-chain Bridge Application

Understanding of Fieres Cross Chain Bridge Application

The Cross-chain Bridge application of Fieres Blockchain fulfils a vital role in facilitating interoperability and seamless integration with other blockchain networks. This application enables the transfer of Fiero, the native token of Fieres Blockchain, between Fieres and other compatible blockchain platforms.

The primary purpose of the Cross-chain Bridge is to establish a bridge mechanism that allows Fiero tokens to be minted and utilised on different blockchain networks. These bridges enable users to transfer Fiero tokens between Fieres Blockchain and these supported networks, maintaining a consistent value across all chains.

By leveraging the Cross-chain Bridge application, Fieres enhances the utility and reach of Fiero as a digital asset. Users can take advantage of the benefits and functionalities offered by different blockchain ecosystems while holding and transacting with Fiero.

To utilise the Cross-chain Bridge, users need to lock their Fiero tokens within the bridge contracts on Fieres Blockchain. This process ensures the security of the tokens during the transfer process. Once locked, pegged tokens are minted on the destination chain, representing the same value as the original Fiero tokens.

The Cross-chain Bridge application not only enables the transfer of Fiero tokens but also promotes liquidity and accessibility. It allows users to participate in Fierex's exchanges (DEXs), and various other platforms on different blockchain networks while holding Fiero as a viable digital asset.

Moreover, the bridges provide a seamless and secure pathway for Fieres Blockchain to collaborate with other blockchain networks. This cross-chain compatibility fosters collaboration, interoperability, and the exchange of assets and information, ultimately benefiting the users and expanding the possibilities within the blockchain ecosystem.

Supported Blockchain Networks

Supported Blockchain Networks: Fieres has established bridges with several prominent blockchain networks, including Ethereum, Polygon, Binance Smart Chain (BSC), and Avalanche. These bridges serve as vital connectors that enable seamless interoperability and connectivity between Fieres Blockchain and these networks.

By establishing bridges with Ethereum, Fieres allows users to transfer Fiero tokens between the Fieres Blockchain and the Ethereum network. This compatibility opens up a wide range of possibilities, as Ethereum is renowned for its vibrant ecosystem and extensive support for smart contracts and decentralised applications (dApps).

The integration with Polygon brings scalability and low-cost transactions to Fieres Blockchain. Polygon is a Layer 2 scaling solution that operates on top of Ethereum, providing faster transaction confirmation times and reducing gas fees. This bridge empowers Fieres users with efficient and cost-effective token transfers within the Polygon ecosystem.

The integration with Binance Smart Chain (BSC) enables Fieres to tap into the growing ecosystem and user base of BSC. With BSC's high-performance blockchain infrastructure, Fieres users can seamlessly transfer Fiero tokens, leveraging the benefits of BSC's lower transaction fees and fast block confirmation times.

The integration with Avalanche extends Fieres' reach to the Avalanche network, known for its high-speed and secure blockchain platform. By bridging Fieres Blockchain with Avalanche, users gain access to Avalanche's powerful ecosystem and can transfer Fiero tokens effortlessly within Avalanche's decentralised applications and financial services.

These bridges create a robust network of connectivity and compatibility, allowing Fieres users to leverage the unique features and advantages of each supported blockchain network. With interoperability established, Fieres empowers users to explore various ecosystems, participate in different platforms, and unlock new opportunities while maintaining the value and utility of their Fiero tokens.

Token Transfer Mechanism

The process of transferring Fiero tokens between Fieres Blockchain and the supported blockchain networks involves a well-defined mechanism. Users securely lock their Fiero tokens within the bridge contracts on Fieres Blockchain, initiating the transfer process. These bridge contracts act as secure gateways for token movement.

Once the Fiero tokens are locked within the bridge contracts, pegged tokens are minted on the destination chain. These pegged tokens represent a mirrored value of the original Fiero tokens and ensure consistent value across the different blockchain networks.

The locking of Fiero tokens and minting of pegged tokens guarantee that users can seamlessly transfer their assets while maintaining a one-to-one value ratio. This process ensures that the value of the transferred tokens remains unchanged, providing confidence and reliability in the cross-chain transfer mechanism.

By leveraging this token transfer mechanism, Fieres enables users to bridge the gap between different blockchain networks, facilitating the fluid and secure movement of Fiero tokens. This process ensures that users can access the diverse opportunities offered by the supported blockchain networks while preserving the value and integrity of their Fiero tokens.

Benefits of Interoperability

- ***Enhanced Liquidity***

The Cross-chain Bridge enables Fieres users to access liquidity from multiple blockchain networks. They can leverage the functionalities and liquidity pools of different networks, increasing the availability of trading options and improving overall market liquidity.

- ***Expanded Reach***

Interoperability allows users to tap into the functionalities and opportunities offered by various blockchain networks. By bridging Fieres Blockchain with networks like Ethereum, Polygon, Binance Smart Chain (BSC), and Avalanche, users can explore diverse ecosystems and participate in different platforms, expanding their reach and potential interactions.

- ***Increased Accessibility***

The Cross-chain Bridge eliminates the limitations of being confined to a single blockchain network. Users gain the ability to transfer Fiero tokens seamlessly across different networks, enabling them to access a broader range of services, applications, and financial instruments.

- ***Synergy with Different Ecosystems***

Interoperability promotes collaboration and synergy between Fieres and other blockchain networks. By bridging Fieres Blockchain with prominent networks, users can benefit from the unique features and innovations offered by each network, fostering a vibrant and dynamic ecosystem.

- ***Preservation of Value***

The Cross-chain Bridge ensures that the value of Fiero tokens remains consistent across different blockchain networks. This consistency enables users to transfer their tokens without the risk of value fluctuations, preserving the value and utility of their assets.

- ***Increased Utility***

Interoperability expands the utility of Fiero tokens by allowing users to seamlessly use them in various applications, platforms, and services across multiple blockchain networks. This flexibility enhances the overall value proposition and usability of Fiero tokens within the Fieres ecosystem.

Fierex's Centralised Exchange

The cryptocurrency market is set to witness a revolutionary new entrant with the launch of Fierex Centralised Exchange. The platform will be designed to provide a secure, reliable, and user-friendly environment for trading cryptocurrency assets. With the latest centralised exchange technology, P2P exchanges, and spot trading features, Fierex will be poised to take the market by storm.

Fierex Centralised Exchange will offer a range of features designed to enhance the trading experience of its users. With the P2P exchange feature, users will be able to buy and sell tokens directly from other users without the need for intermediaries. The Spot Trading feature will provide traders with a list of order books from which they can choose the best price and place their buy or sell orders accordingly.

Customers will also be able to store their tokens in their own hot wallet, allowing them to make deposits and withdrawals in FIAT. To aid in market analysis, Fierex will provide traders with trading engines such as LIMIT, MARKET, and STOP-LIMIT, as well as OHLC & Depth Charts. Real-time viewing of the coins' current rate, 24-hr change, 24-hr volume, Last price, 24-hr High and 24-hr low will also be available on the exchange.

The coin bookmark/watch list feature will allow users to quickly locate the coins they are interested in trading, while the buy/sell order book facilitates the placement of buy/sell orders, and users can view their open orders and order history/deal summary. All users can also view the Deal Summary/Order History of their transactions, enabling them to keep track of their trading activities on the platform.

Fierex's centralised exchange will also offer numerous benefits to its users. The exchange will enable global trading, allowing users to buy, sell, and trade digital assets from any part of the world. Furthermore, Fierex's centralised exchange will support various payment methods, making it easier for users to purchase crypto assets using fiat or other digital currencies.

In terms of security, Fierex's centralised exchange will be equipped with state-of-the-art technology to protect users' funds and data. Additionally, the exchange will offer exceptional liquidity, with low spreads and high trading volumes, making it one of the most liquid exchanges in the industry. This will enable users to make informed decisions and take advantage of market fluctuations.

The exchange will also feature a user-friendly platform, designed to be easy to navigate and use, catering to both novice and experienced traders. With fast trading speeds, low fees, and a wide selection of cryptocurrencies, users can buy and sell tokens quickly and efficiently.

Furthermore, Fierex's centralised exchange will support multiple languages, making it accessible to users from all walks of life. Real-time transaction processing will ensure a smooth and seamless trading experience. Advanced order books and a matching engine will enable users to execute their orders quickly and accurately, ensuring that they don't miss out on any opportunities. With all these benefits, Fierex's centralised exchange is set to become the ultimate platform for any serious cryptocurrency trader.

Business Use cases of Fierex Centralised Exchange

Cryptocurrency trading: Fierex Centralised Exchange provides a secure and reliable platform for companies to trade various cryptocurrencies. Companies can benefit from the exchange's high liquidity, low spreads, and fast trading speeds to execute trades quickly and efficiently.

Token listing: Companies can list their own tokens on Fierex Centralised Exchange, providing a new avenue for fundraising and expanding their reach. By listing their tokens on the exchange, companies can also benefit from increased liquidity, as traders can buy and sell their tokens on the platform.

Market analysis: Fierex Centralised Exchange offers advanced trading engines, charts, and real-time market data, making it a useful tool for market analysis. Companies can use this data to gain insights into market trends, make informed trading decisions, and develop strategies to grow their businesses.

Multilingual support: Fierex Centralised Exchange supports multiple languages, making it accessible to users from different regions of the world. Companies can use the exchange to reach new markets and expand their customer base.

Fieres's NFT Marketplace

Fieres will soon launch its very own Non-Fungible Token (NFT) marketplace! With the marketplace, Fieres will lead the way for the decentralised modern digital economy, providing a secure and easy-to-use platform for users to buy and sell digital items like artwork, music, and gaming assets.

The NFT marketplace will allow users to buy and sell easily and securely with the backing of Blockchain technology. Fieres's marketplace will provide a one-stop shop for all digital assets and will provide users with an assortment of choices, including a wide range of digital items from various artists, musicians, and game developers. Users will be able to browse through a growing selection of NFTs, find their favourite sellers and hot bids, and get the best deals on their desired tokens. With Fieres's NFT Marketplace, users will be able to explore the different types of players in the digital marketplace, from the top sellers and hot bids to the new creators and unique finds. With its broad selection, users will find and explore the perfect NFT for themselves or to share with others. Whether you're looking for something to hang on your wall or to show off your gaming skills, Fieres's NFT Marketplace is the place to find what you need.

Fieres's marketplace will also provide users with advanced security features, such as the ability to create a personal wallet and keep track of all transactions made on the platform. This will provide users with the extra security and peace of mind that comes with having full control and ownership of their digital assets.

Fieres's NFT marketplace will be designed to make buying and selling digital items a breeze. With its user-friendly interface, secure payment options, and advanced security features, users will feel confident that their digital assets are safe and secure on the Fieres platform. We look forward to a future of digital asset ownership and look forward to revolutionising the way people buy and sell digital items.

P2E Games

Fieres's plan to build a Play2Earn (P2E) racing game is an exciting new development in the world of gaming. The P2E model allows players to earn rewards by participating in the game and completing certain tasks.

In Fieres's racing game, users will first need to mint their character NFTs by paying the Application Native Token. This initial investment will allow them to claim their participation in the game.

Once a user has minted their character, they can then choose their vehicle from a selection of options, such as a skateboard, bike, or car. After selecting their vehicle, the user can then choose the environment they want to race in. It is important to note that each race will require the user to pay an entry fee in the native token.

Once a user has paid their entry fee and chosen their vehicle and environment, they can participate in the race. If the user wins the race, they will receive a reward in the form of a native token. The amount of the reward will depend on a variety of factors, including the difficulty of the race and the number of other players participating.

Users will also have access to a range of features like practice mode, 1v1, play arena, and tournament options. In the practice mode, users can get a taste of the game with a computer bot with multiple levels. The game also incentivises users by rewarding them with tokens for completing a level. Apart from this, users can also boost up their vehicle gears with Application Native Token. This will help them to stay ahead in the game, and enjoy a seamless experience.

Completing levels in these games will help in enhancing the attributes of Non-Fungible Tokens (NFTs). This, in turn, will help in improving the gameplay of characters. It also provides users with the opportunity to invite and challenge their friends online. The game also features an arena where multiple players can compete at a time, and the one with the best skills will be declared the winner.

The game will have a collection of 10,000 NFT characters, each with its own unique attributes and rarity. This means that players can create a collection of characters with special traits and abilities to give them an edge over other players when playing the game. Through the use of the P2E protocol, users can collect and trade characters with each other to build their own team of rare and powerful NFTs. This is a great way for gamers to have fun while collecting and trading unique characters, creating a more dynamic and engaging gaming experience. With the innovative use of the P2E protocol, Fieres is set to revolutionise the gaming market.

Players can enter tournaments with entry fees in Application Native Token, and the final winning rewards will be paid out in fiat/crypto. The platform will feature hi-fi graphics and a sci-fi-inspired environment. To facilitate easy management, there will be an admin dashboard for all administrative functionalities like viewing users, events, funds, distributions etc. With Fieres, gaming has never been more rewarding! Get ready to jump into the world of Fierex and make some money while having fun playing the latest P2E Racing games!

How will the user access the Fieres racing game?

- ◆ To access the Fieres web-based game, the user will first need to have a device that can connect to the internet, such as a computer, tablet, or smartphone. They will also need to have a compatible web browser installed, such as Chrome, Firefox, Safari, or Edge.
- ◆ Once the user has confirmed that their device is connected to the internet and their web browser is up-to-date, they can visit the website where the Fieres game is hosted. This website may be linked from a search engine, social media platform, or another online resource.
- ◆ Once the user has arrived at the website, they may need to create an account or sign in using existing credentials, depending on the specific requirements of the game. If they need to create an account, they will typically be asked to provide some basic information such as their name, email address, and password.
- ◆ Once the user has logged in or created an account, they can typically access the game by clicking on a link or button that leads to the game's interface. The specifics of this process may vary depending on the design and layout of the game, but in general, the user should be able to start playing the Fieres web-based game within a few clicks or taps.

Steps involved to start racing in Fieres's Racing Game

Step 1 Go to Fieres's Gaming Website

Step 2 Create an account by providing your personal details and setting up your profile.

Step 3 Acquire the Application Native Token FIERO required to mint your Character NFTs and pay the entry fee for races. You can purchase FIERO from the supported cryptocurrency exchange platforms.

Step 4 Mint your Character NFTs by paying the required amount of FIERO. You can choose the type of vehicle & environment you want to race with and customise your character.

Step 5 Pay the entry fee in FIERO for the race you want to participate in.

Step 6 Once the race starts, race against other players and try to win.

Step 7 If you win the race, you will receive rewards in the form of cryptocurrency.

Step 8 You can sell or trade your NFTs in the marketplace to other players or collectors.

User Rewards & Business Logic

Assuming that Fieres's racing game is a video game, the user will likely receive some form of in-game reward for winning. This could include virtual currency or items that can be used to progress further in the game. Depending on the game's mechanics, winning could also unlock new levels or game modes.

As for the business logic, Fieres may use the game to generate revenue through various means, such as in-game purchases or advertising. Winning the game could also provide Fieres with valuable data on user behaviour, such as how long it takes players to complete certain levels or which items are most popular among players. This data could be used to improve the game or inform future business decisions.

DEX with AMM & IDO Launchpad

Fieres Blockchain is soon going to launch its own Decentralised Exchange (DEX) that will revolutionise the world of trading. As part of its mission to redefine finance, Fieres is building a cutting-edge DeFi platform that will bring trustless and automated market makers to the forefront. The DEX will come equipped with Automated Market Makers (AMM) that will seamlessly provide liquidity to users, benefitting both retail and institutional investors.

With AMM, users can buy and sell assets in real-time, providing greater liquidity and faster settlements. One of the main features of Fieres DEX is the creation of liquidity pools with the generation of LP tokens. Users can also exchange one token for another using the swapping functionality provided by the AMM. Fieres DEX allows users to add or remove liquidity from the pools dynamically using smart contracts. Users can create new liquidity pools and add new trading pairs on the platform. The subgraph feature provides statistical data and analysis of all liquidity pools and their transactions.

Fieres DEX provides users with the ability to stake their Fiero Coins to earn rewards. It also enables users to create their own FIERES-20 tokens and launch their token sales. The Info section provides statistical analysis for all liquidity pools and their related transactions, providing users with insights into the performance of the exchange.

Using Fieres DEX has many benefits, including trustless trading, increased liquidity, access to a wide range of assets, lower fees, enhanced security, APY, and privacy. Decentralised exchanges like Fieres eliminate the need for intermediaries, allowing users to have full control over their funds at all times and trade in a trustless manner. Automated market makers provide liquidity for trading pairs, ensuring that users can buy and sell assets at any time.

Another benefit of using Fieres DEX is the potential to earn higher returns through staking and providing liquidity to the pools. The Annual Percentage Yield (APY) for staking Fiero Coins and providing liquidity to the pools is determined by the demand and supply of the tokens and can vary over time. By staking their Fiero Coins, users can earn rewards in the form of additional Fiero Coins or other tokens supported by the platform.

The APY for liquidity providers is calculated based on the fees generated from the trades made in the liquidity pools. As more users trade on the platform, the fees generated increase, resulting in higher returns for liquidity providers. The ability to earn passive income through staking and providing liquidity is one of the key benefits of using decentralised exchanges like Fieres DEX.

Decentralised exchanges also offer a wider range of digital assets for trading, lower fees, and increased security since users' funds are stored in their wallets and not on a centralised exchange's servers. Additionally, users can enjoy a more anonymous trading experience since they do not have to provide personal information such as KYC/AML documents.

Fieres is also excited to announce the launch of its own IDO launchpad. This will provide projects with a secure and efficient platform to raise capital and gain exposure in the crypto space. Token issuers will be able to reach a larger audience and maximise their fundraising success, while users will have easy and secure access to a wide range of tokens before they are listed on any major exchange.

Fieres is dedicated to creating a robust and compliant launchpad that offers a secure and transparent environment for conducting token offerings, as well as the highest level of service for its customers. The focus is on creating a secure and user-friendly platform and expanding the global reach of the industry.

The Fieres IDO launchpad is designed to provide a platform for projects to raise funds and launch their tokens in a secure and reliable way. It will offer smart contracts for Launchpad, allowing projects to launch their tokens on the platform. The launchpad will also allow projects to create their own native tokens and facilitate the creation of a liquidity pool for the token on Fieres DEX, allowing for trading of the token.

The launchpad contract will handle the pre-sale event and main listing of the token on Fieres DEX, while the IDO launchpad will allow for different tranches of investment, with each tranche requiring a certain amount of Fieros coin to be spent or a certain amount of funds staked by users in the staking pool. Investors will be able to invest in projects using Fiero.

The IDO launchpad will also provide a staking contract for staking the currency of the launched token on Fieres DEX. Yield generated from the staked tokens will be given in the pool native token or the application native token. The launchpad will also provide a liquidity locker to ensure the security of the liquidity pool, and investors will be able to lock their LP tokens for a fixed span of time using a smart contract.

The locking and release of LP tokens will be based on community voting, and a user-friendly interface will be developed to make the IDO launchpad easy to use for everyone.

Fieres IDO Launchpad will connect project teams with a vast investor network, providing exposure and access to potential investors who are interested in investing in the latest Blockchain projects. The launchpad allows for quick and easy token launches, with a streamlined process that enables project teams to launch their tokens in a matter of days rather than weeks or months.

The Fieres IDO Launchpad is highly secure, utilising state-of-the-art security protocols to protect both the project team and the investors from any potential security breaches. It ensures a fair and transparent allocation of tokens, with a set allocation strategy that ensures all investors have an equal opportunity to participate in the project.

DEX Wallet

Fierex Blockchain is set to launch its own decentralised exchange (DEX) wallet. The DEX wallet will provide users with a secure and seamless platform to store, send, and receive digital currencies. This will enable users to securely interact, exchange, and store their digital assets without the need for third-party intermediaries, providing a more secure and cost-effective way to manage their funds. The DEX wallet will also offer a range of features, such as support for multiple currencies, tokenised assets, and atomic swaps. The launch of the DEX wallet is a huge step forward for Fierex Blockchain, as it will provide users with an easy and secure way to manage their digital assets. With the launch of the DEX wallet, Fierex Blockchain is furthering its commitment to providing industry-leading solutions for digital asset management.

Features

Multi-Currency Support: Fierex's Dex Wallet supports multiple cryptocurrencies, including Bitcoin, Ethereum, Litecoin, and others. Users can easily add or remove coins from their wallets as per their preference.

Decentralised Wallet Structure: Fierex's Dex Wallet is built on a decentralised architecture, which means that users have complete control over their private keys and funds. The wallet does not store users' private keys, ensuring maximum security.

User-Friendly Interface: Fierex's Dex Wallet has a user-friendly interface that makes it easy for users to navigate and manage their cryptocurrency holdings. It is also customisable, allowing users to personalise the interface to their liking.

Quick and Easy Transactions: Fierex's Dex Wallet allows users to send and receive cryptocurrencies quickly and easily. Transactions are processed on the Blockchain network, which ensures speed and security.

DApp Browser: Fierex's Dex Wallet includes a built-in DApp browser that allows users to interact with decentralised applications directly from the wallet. This makes it easy for users to access and use a wide range of Blockchain-based services and applications.

Backup and Recovery: Fierex's Dex Wallet allows users to create a backup of their wallet using a seed phrase, which can be used to restore their wallet if they lose their device or access to their wallet.

QR Code Scanning: Fierex's Wallet supports QR code scanning, allowing users to send and receive cryptocurrencies using a simple scan of a QR code.

Transaction History: Fierex's Dex Wallet maintains a transaction history, allowing users to track their cryptocurrency transactions and view details such as the date, time, and amount of each transaction.

Security Features: Fierex's Dex Wallet includes several security features, such as password protection and biometric authentication (where available), to ensure maximum security for users' funds.

Stablecoin

In the near future, Fieres Blockchain is set to introduce its own stablecoin, which will be pegged by BUSD. This stablecoin will provide users with the benefits of a traditional currency without the risks associated with the high volatility of other cryptocurrencies. The stability of the Fieres stablecoin will make it an attractive option for businesses, investors, and individuals who want to use cryptocurrencies without exposing themselves to market volatility.

One of the key features of the Fieres stablecoin is its transparency. Transactions on the Blockchain network will be recorded on a public ledger, which will ensure that all transactions are transparent and immutable. This will provide users with the assurance that their transactions are secure and that there is no possibility of fraud or manipulation.

The decentralisation of the Fieres stablecoin will ensure that it is not controlled by any central authority or organisation. This will make it more resilient to censorship and will give users full control over their funds. Additionally, the low transaction fees and fast transaction processing times on the Blockchain network will make the Fieres stablecoin an attractive option for businesses and individuals looking to make transactions efficiently.

The introduction of the Fieres stablecoin heralds a new era of confidence and stability within the Fieres Blockchain ecosystem. Imagine having a digital asset with a steadfast value, carefully upheld by securely audited reserves on the Binance Smart Chain (BSC). This stability creates an environment where users can transact with unwavering certainty, free from the wild fluctuations that often accompany cryptocurrencies.

With the Fieres stablecoin at its core, liquidity within the ecosystem surges to unprecedented levels. Businesses and investors are drawn to the reliable nature of this digital asset, making it an attractive choice for transactions and investments. Say goodbye to the rollercoaster ride of price volatility, and say hello to a steadfast and trustworthy medium of exchange.

But the benefits don't stop there. Cross-border transactions become a breeze as the stablecoin expedites the process, bypassing the traditional complexities and reducing costs. No more lengthy delays or exorbitant fees—just swift and seamless transactions powered by the secure reserves maintained on the BSC.

As the Fieres stablecoin establishes itself as a pillar of the ecosystem, its influence extends to the realm of decentralised finance (DeFi). It has become an indispensable tool for decentralised exchanges, lending platforms, and payment networks. By providing a stable foundation, the stablecoin propels these platforms to new heights of efficiency and reliability. It opens up avenues for users to explore the exciting possibilities of DeFi, with heightened security and unrivalled stability.

How does Stablecoin benefit the economy of Fieres Blockchain?

Stablecoins are cryptocurrencies that are designed to maintain a stable value, allowing them to be used for transactions even when market conditions are volatile. They have a number of key benefits for the Fiere Blockchain economy, including improved liquidity, greater stability, and more transparency.

- ◆ **Reduced Volatility:** Stablecoins are designed to have a stable value, which means they are less volatile than other cryptocurrencies like Bitcoin. This makes them more attractive to businesses and investors who want to use cryptocurrencies but are hesitant due to the high volatility.
- ◆ **Increased Adoption:** By offering a stable value, stablecoins can increase the adoption of cryptocurrencies in the Fieres Blockchain ecosystem. This can lead to an increased usage of Blockchain-based products and services, which can ultimately benefit the economy of Fieres Blockchain.
- ◆ **Cross-border Transactions:** Stablecoins can be used for cross-border transactions without the need for expensive intermediaries or lengthy settlement times. This can lead to faster and cheaper transactions, which can benefit businesses and individuals alike.
- ◆ **Improved Liquidity:** Stablecoins can improve the liquidity of the Fieres Blockchain ecosystem by providing a more stable medium of exchange. This can make it easier for businesses and investors to buy and sell cryptocurrencies without experiencing large price fluctuations.
- ◆ **Decentralised Finance (DeFi):** Stablecoins are an essential component of DeFi, which is a rapidly growing sector within the Blockchain ecosystem. By providing a stable value, stablecoins can enable DeFi applications like decentralised exchanges, lending platforms, and payment networks to function more efficiently.

DEX Affiliate / Referral Marketing Platform

Fieres Blockchain's Decentralised Affiliate/Referral Marketing Platform is a new and innovative way for businesses and individuals to leverage the power of network marketing without relying on a centralised authority. This Affiliate/Referral Marketing Platform platform is built on the Fieres Blockchain network, which means it is fully decentralised, transparent, and secure.

Fieres Blockchain's Decentralised Affiliate/Referral Marketing Platform is a new and innovative way for businesses and individuals to leverage the power of network marketing without relying on a centralised authority. This Affiliate/Referral Marketing Platform platform is built on the Fieres Blockchain network, which means it is fully decentralised, transparent, and secure.

Fieres Dex Affiliated Referral Marketing encompasses a sophisticated and incentivised system designed to stimulate user engagement and expansion within the Fieres ecosystem. This programme empowers users to establish a referral network by inviting individuals to join the Fieres ecosystem.

Every activity that generates an administrative commission within the individual modules of the ecosystem is meticulously recorded on the blockchain. This enables users to have a comprehensive view of their earnings, empowering them with the knowledge of how their efforts are being rewarded. With transparent and immutable records, users can confidently track their progress, evaluate the effectiveness of their marketing strategies, and make informed decisions to optimise their earning potential.

Through this referral network, users create a hierarchical tree structure where relationships are formed through referencing. As a result, a comprehensive network of participants is established, encouraging connections and collaboration among users.

Within this marketing framework, rewards are distributed based on activities that generate admin commissions. When an activity generates an admin commission, the corresponding amount is directed to the admin. Subsequently, a percentage of the admin commission is allocated to the upline of the referred user, creating a collective pool of rewards.

Significantly, the referral programme adheres to a uniform structure across the entire Fieres ecosystem, ensuring fairness and equal opportunities for all participants. Regardless of their position within the network, every user has the potential to receive rewards based on the activities generated by their referred users.

Fieres Dex Affiliated Referral Marketing actively encourages user engagement, fosters a sense of community, and provides a compelling incentive for users to extend invitations to potential platform participants. This system promotes growth, collaboration, and a mutually beneficial environment for all stakeholders within the expansive Fieres ecosystem.

The rewards earned within the Decentralised Affiliate/Referral Marketing Platform are distributed in the form of coins, which are securely stored on the blockchain. This ensures the safety and integrity of the rewards, giving users peace of mind knowing that their earnings are safeguarded. Moreover, users have the freedom to withdraw their rewards at any time they desire, allowing them to have full control over their earnings and financial decisions.

By leveraging the power of blockchain technology, Fieres Blockchain's Decentralised Affiliate/Referral Marketing Platform aims to revolutionise the traditional affiliate/referral marketing industry. It provides a secure, transparent, and decentralised alternative that eliminates the need for intermediaries and enhances the overall efficiency and trustworthiness of the marketing process. With this innovative platform, businesses and users can forge strong connections, facilitate seamless transactions, and unlock new opportunities for growth and success.

Remittance

An overview of the importance of remittance services in today's global economy

Remittance services are an essential component of today's global economy, providing a means for individuals and families to transfer money across borders. Remittances are typically used to support the basic needs of family members in their home country, such as paying for education, medical expenses, and daily living expenses. In many cases, remittances represent a significant source of income for families in developing countries, contributing to poverty reduction and economic growth.

According to the World Bank, global remittances totalled \$689 billion in 2018, with developing countries receiving the majority of these funds. Remittances are particularly important in regions such as South Asia, Sub-Saharan Africa, and Latin America, where they represent a significant percentage of GDP.

Remittance services are also important for the global labour market, facilitating the movement of workers across borders in search of better job opportunities. In many cases, remittance services provide a lifeline for migrant workers, allowing them to support their families while working abroad.

Remittance on Fieres Blockchain

Fieres Remittance is a robust and technologically advanced feature that harnesses the power of the Fieres Blockchain to facilitate seamless cross-border money transfers. At its core, Fieres Remittance utilises a stablecoin, which achieves stability by securely locking BUSD (Binance USD) in a smart contract. This stablecoin acts as a reliable medium of exchange, ensuring the preservation of value during cross-border transactions.

The remittance process within the Fieres ecosystem offers two possible approaches. The first approach allows users to utilise the stablecoin created by Fieres for their cross-border remittances. This stablecoin ensures a consistent and secure value transfer mechanism, mitigating the volatility risks typically associated with traditional currencies.

Alternatively, Fieres may choose to create a new token specifically designed for cross-border remittances. This dedicated token will serve as a medium of value transfer, providing enhanced traceability and efficiency in the remittance process.

To facilitate seamless remittance services, Fieres establishes strategic partnerships with fiat transfer services that have a robust global presence. By leveraging the capabilities of these established payment transfer networks, Fieres ensures seamless connectivity to various regions, enhancing the efficiency and accessibility of cross-border money transfers.

With Fieres Remittance, users can confidently and securely transfer funds across borders, leveraging the stability of the provided stablecoin or dedicated remittance token. This advanced technical solution not only streamlines the remittance process but also empowers individuals and businesses to conduct cross-border transactions with enhanced security, efficiency, and traceability.

How the cost and speed of cross-border money transfers can impact the lives of individuals and families who rely on Remittance services?

The cost and speed of cross-border money transfers can have a significant impact on the lives of individuals and families who rely on remittance services. Here are some of the ways:

- ◆ **Financial burden:** High fees associated with traditional remittance services can be a significant financial burden for families who are already struggling to make ends meet. In some cases, fees can amount to a significant portion of the remittance amount, reducing the value of the transfer and leaving families with less money to cover their expenses.
- ◆ **Delayed support:** Slow transfer times can also cause significant hardship for families who rely on remittance services. In some cases, delays in the transfer can mean that families are unable to access the funds they need to cover immediate expenses such as medical bills, food, or rent. This can lead to additional financial stress and hardship.
- ◆ **Dependence on intermediaries:** Many traditional remittance services rely on intermediaries to facilitate the transfer of funds. This can add additional layers of complexity and cost to the process, leading to slower transfer times and higher fees. It can also make the process more opaque, leaving individuals and families unsure of the status of their transfer.

Challenges of traditional remittance methods

Traditional remittance methods face a number of challenges that can make it difficult for individuals to send and receive money across borders.

- ♦ **High fees:** Traditional remittance methods often charge high fees for transferring money across borders. These fees can be particularly burdensome for individuals and families who rely on remittances as a significant source of income. In some cases, fees can be as high as 10% of the transferred amount, reducing the value of the transfer and leaving families with less money to cover their expenses.
- ♦ **Slow transfer times:** Transfer times for traditional remittance methods can be slow, sometimes taking days or even weeks to complete. This can cause significant hardship for individuals and families who rely on remittance services to cover their basic needs.
- ♦ **Need for intermediaries:** Traditional remittance methods often require intermediaries to facilitate the transfer of funds. These intermediaries can add additional layers of complexity and cost to the process, leading to slower transfer times and higher fees. It can also make the process more opaque, leaving individuals and families unsure of the status of their transfer.
- ♦ **Lack of access to banking and financial services:** Many individuals who rely on remittance services may not have access to traditional banking systems or financial services. This can make it difficult to access remittance services or to receive funds once they have been transferred.

Role of stablecoins in remittance

Stablecoins are cryptocurrencies designed to maintain a stable value, usually by pegging their value to a stable asset like the US dollar or a basket of currencies. Stablecoins can play an important role in facilitating cross-border remittance services by providing a more efficient, secure, and cost-effective way to transfer funds. Here are some of the key benefits of using stablecoins in remittance:

- **Price stability:** Stablecoins are designed to maintain a stable value, which means that they can provide a more reliable and predictable transfer value for remittance users. This can help to reduce the risk of currency fluctuations and provide greater financial stability for both senders and receivers.
- **Faster transaction times:** Stablecoins can enable quicker transfer times by eliminating the need for intermediaries and enabling the real-time transfer of funds. This can help to reduce the time it takes for individuals and families to access the funds they need, improving their financial stability and well-being.
- **Lower fees:** Stablecoins can reduce the cost of remittance transactions by eliminating intermediaries and simplifying the transfer process. This can make it more affordable for individuals and families to access the funds they need, especially for smaller transactions.
- **Bridging the gap between traditional financial systems and Blockchain technology:** Stablecoins can be used to bridge the gap between traditional financial systems and Blockchain technology by providing a familiar and stable value to users who may be unfamiliar with cryptocurrencies. This can help to increase the adoption of Blockchain-based remittance services and provide greater financial access to underserved communities.

Future of remittance

The future of remittance is looking increasingly promising, thanks to the introduction of Blockchain technology and stablecoins. These advancements have revolutionised the process of sending and receiving money overseas, making it faster, cheaper, and more secure. Furthermore, the integration of AI and machine learning promises to further reduce transaction processing times and costs, making cross-border payments even more efficient.

Stablecoins have been particularly influential in the remittance industry, as they are pegged to a stable asset such as fiat currency or gold and are not subject to the same volatility as other cryptocurrencies. This makes them ideal for sending and receiving money across borders, as the value remains constant throughout the process. Furthermore, Blockchain technology enables faster and more secure transactions, allowing for near-instant transfers with minimal risk of fraud or theft.

In the future, we could also see the integration of digital wallets and identity management systems, allowing for fast and secure transactions without the need to provide extensive personal information. Furthermore, AI and machine learning could be used to improve financial literacy and provide personalised services to customers, helping them make the most of their money.

Metaverse virtual store platform

In the near future, Fieres Blockchain plans to launch a Metaverse virtual store platform that will allow businesses to sell their physical items in a virtual world. The platform will come with thousands of templates for businesses to choose from, allowing them to easily customise their virtual store to match their brand and style.

But that's not all – the platform will also include stablecoin utility and NFTs to enhance the user experience further. Businesses can accept payment in stablecoins, which provide stability and security, eliminating the need to worry about exchange rate fluctuations or payment delays. Additionally, businesses can use NFTs to create unique, one-of-a-kind virtual items that can be sold alongside their physical products, allowing for an added layer of personalisation and customisation for their customers.

By creating a virtual store platform in the Metaverse, businesses can tap into a new market of consumers who are looking for innovative ways to shop and interact with brands. This platform provides a seamless and immersive shopping experience, where customers can browse through virtual storefronts and interact with products in a way that is not possible in the physical world.

Furthermore, the platform is designed to be user-friendly, with easy-to-use templates and intuitive tools that allow businesses to create their virtual store without any prior technical knowledge. The platform will also provide detailed analytics and insights, allowing businesses to track their sales and optimise their virtual store for maximum profitability.

Metaverse meeting/convention platform with VR enabling

Fieres Blockchain is excited to announce the upcoming launch of our Metaverse meeting and convention platform, with VR enabling. This cutting-edge platform will enable people from all around the world to attend meetings, conferences, and conventions in a fully immersive virtual environment.

The platform will feature advanced VR technology that allows users to interact with one another in real-time as if they were physically present in the same room. Participants will be able to customise their avatars, engage in group discussions, and even participate in interactive presentations and demos.

In addition to VR technology, the platform will also offer a range of features that enhance the meeting and convention experience. This includes the ability to record sessions for future viewing, network with other attendees, and even make purchases through our integrated e-commerce platform.

The Metaverse meeting and convention platform will be fully decentralised and powered by Blockchain technology, providing users with unparalleled security and privacy. This also means that transactions made on the platform will be fast, efficient, and transparent, with no middlemen or intermediaries.

Our platform will also support the use of NFTs (non-fungible tokens), allowing users to showcase their digital assets and even purchase virtual goods using cryptocurrency. This opens up new possibilities for convention organisers and sponsors to create immersive experiences and engage with attendees in new and innovative ways.

At Fieres Blockchain, we are committed to providing our users with the latest technology and innovative solutions to meet their needs. We believe that our Metaverse meeting and convention platform will revolutionise the way people attend events, opening up new possibilities for networking, learning, and collaboration.

Business Use Cases

- **Virtual Trade Shows:** B2C companies can utilise the Metaverse meeting and convention platform to host virtual trade shows, enabling them to showcase their products and services to a global audience. Attendees can explore virtual booths, interact with exhibitors, and make purchases through the integrated e-commerce platform.
- ◆ **Online Conferences:** B2C organisations can organise online conferences on the Metaverse platform, allowing participants to attend informative sessions, panel discussions, and keynote speeches from the comfort of their own homes. The immersive VR environment enhances engagement and provides a unique conference experience.
- ◆ **Virtual Product Launches:** Businesses can leverage the platform to conduct virtual product launches, introducing new products to their consumer base. Attendees can witness live demonstrations, ask questions, and even make purchases of the newly launched products directly within the virtual environment.
- ◆ **Interactive Workshops:** B2C companies can host interactive workshops on the Metaverse platform, offering valuable educational content and skill-building opportunities to their customers. Participants can actively engage with instructors, collaborate with other attendees, and gain hands-on experience in a virtual setting.
- ◆ **Virtual Social Events:** The platform can be utilised for hosting virtual social events such as concerts, parties, and community gatherings. B2C organisations can create a lively and interactive virtual space where attendees can socialise, enjoy live performances, and connect with like-minded individuals from around the world.

- ◆ **Virtual Brand Experiences:** B2C companies can create immersive virtual brand experiences on the platform, allowing customers to engage with their brand in a unique and memorable way. This could include virtual showrooms, brand storytelling experiences, and interactive brand activations that leave a lasting impression.
- ◆ **Online Customer Support:** Businesses can use the Metaverse platform to provide online customer support in a more engaging and interactive manner. Customers can receive personalised assistance, attend virtual help desks, and interact with customer support representatives through VR, enhancing the overall customer experience.
- ◆ **Virtual Fitness Classes:** Fitness and wellness companies can offer virtual fitness classes and wellness sessions on the platform, providing customers with the opportunity to participate in guided workouts, yoga sessions, and meditation practices from the comfort of their homes.
- ◆ **Online Consumer Surveys:** B2C companies can conduct online consumer surveys and market research studies within the virtual environment. Participants can provide feedback, opinions, and insights, contributing to the development and improvement of products and services.
- ◆ **Virtual Tours:** Businesses in the travel and hospitality industry can offer virtual tours of destinations, hotels, and resorts through the platform. Customers can explore and experience various locations virtually, helping them make informed decisions and plan their future travels.

How does Metaverse meeting/convention platform with VR enabled revolutionise networking?

Metaverse is a virtual reality-enabling platform that has revolutionised networking. It allows users to meet and connect with people from all over the world without having to physically be present in the same space. With Metaverse, users can create avatars, attend virtual events and trade virtual items with others. In addition, users can also create virtual social networks, enabling them to form and maintain relationships with distant people.

Metaverse's virtual reality-enabling features take networking to the next level. By utilising its 3D visualisation, users can create a realistic environment which immerses them in the interactions they have with others. This allows users to have an unmatched level of interaction and engagement with one another, which can significantly enhance their meeting or convention experiences.

Moreover, Metaverse makes networking more convenient and accessible. By removing the limitations of physical distance, users can meet and establish relationships with people from all around the world. This means that conventions and meetings have become more inclusive, as they can now be attended by people from different places and backgrounds.

In conclusion, Metaverse's virtual reality-enabling platform has revolutionised networking. It allows users to engage in a more interactive and immersive way and establish relationships with distant people. With this platform, networking experiences, such as conventions and meetings, are now more convenient and accessible, making them more inclusive and engaging.

Networking Features of the platform

- ◆ **Virtual breakout rooms:** This feature allows attendees to split off into smaller groups for focused discussions or brainstorming sessions. Virtual breakout rooms can help recreate the experience of attending a smaller workshop or seminar within a larger conference. Attendees can join and leave breakout rooms as needed, and moderators can control access to these spaces.
- ◆ **One-to-one meeting spaces:** This feature provides attendees with the ability to schedule and hold private meetings with other attendees, sponsors, or exhibitors. This can be a great way to facilitate introductions and build deeper relationships. Attendees can use the platform to schedule meetings, which can take place in a dedicated virtual meeting room with video conferencing and screen-sharing capabilities.
- ◆ **Group chat:** This feature allows attendees to chat with each other in real-time throughout the event. Group chat can help recreate the experience of mingling in a crowded conference hall and foster serendipitous connections. Attendees can use the chat feature to ask questions, share insights, and exchange contact information.
- ◆ **Attendee directory:** This feature offers attendees a directory of other attendees to facilitate introductions and networking. The directory can include profiles with photos, job titles, and areas of expertise. Attendees can use the directory to search for other attendees based on specific criteria, such as industry or interests.
- ◆ **Virtual social events:** This feature provides attendees with opportunities for virtual socialising, such as networking sessions, pub quizzes, or virtual tours of interesting locations. Virtual social events can be a fun way to facilitate more casual conversations and build camaraderie among attendees.

Benefits

- ◆ **Immersive experience:** The platform allows users to interact with each other in a virtual environment, providing a highly immersive experience that feels almost like being in the same physical space.
- ◆ **Increased engagement:** With its advanced features such as 3D avatars, voice chat, and interactive objects, the platform can help to increase engagement and make virtual meetings and conventions more enjoyable.
- ◆ **Cost-effective:** Hosting meetings and conventions in a virtual environment can be more cost-effective than renting a physical space, travelling, and other associated expenses.
- ◆ **Accessibility:** The platform can be accessed from anywhere in the world, making it easier for attendees to participate in meetings and conventions without the need to travel.
- ◆ **Customisable:** The platform can be customised to suit the needs of different events, including branding, layout, and interactive elements, making it a versatile solution for various industries.
- ◆ **Environmentally friendly:** By eliminating the need for travel and physical infrastructure, the platform can help reduce carbon emissions, making it an environmentally friendly solution.

Metaverse for Music Artists

Fieres is proud to introduce the Metaverse Music Platform, a groundbreaking platform designed specifically for music artists. Our Metaverse for Music Artists opens up new avenues for artists to connect with their fans, showcase their talent, and create immersive experiences in the virtual world.

With the Fieres Metaverse, music artists can host virtual concerts and performances, allowing fans from all over the globe to attend and enjoy their music in a fully interactive and immersive environment. Artists can create virtual stages, design their avatars, and deliver captivating live performances that transcend physical boundaries.

The platform also provides opportunities for music artists to engage with their fans on a deeper level. Artists can organise virtual meet and greets, where fans can interact with their favourite musicians, take selfies, and even receive personalised messages. This direct interaction fosters a sense of closeness and strengthens the artist–fan relationship.

In addition to live performances, the Fieres Metaverse offers a range of features tailored to music artists. Artists can create virtual music stores where fans can purchase their albums, merchandise, and exclusive digital content using cryptocurrency. This not only generates revenue for the artists but also provides fans with unique collectibles and experiences.

Furthermore, the Metaverse for Music Artists allows artists to collaborate with other musicians and creators from around the world. Artists can participate in virtual jam sessions, record songs together, and even co-create immersive music experiences. This collaborative aspect enhances creativity and opens up new possibilities for artistic expression.

The Fieres Metaverse also supports the integration of NFTs (non-fungible tokens) within the music industry. Music artists can tokenise their music, offering limited edition digital assets to their fans. These NFTs can represent unique tracks, concert tickets, backstage passes, or even virtual items associated with the artist's brand. NFTs provide artists with new revenue streams and a way to reward their most dedicated fans.

By harnessing the power of virtual reality and blockchain technology, the Fieres Metaverse for Music Artists revolutionises the music industry, providing artists with a global stage and fans with unforgettable experiences. It breaks the barriers of physical limitations, allowing music to transcend borders and creating a new era of connection between artists and their audiences.

Business Use Cases

Fan communities:

The platform can be used to build online fan communities around music artists, where fans can connect with each other, share content, and participate in virtual events. With Metaverse technology, fans can interact with each other using custom avatars and virtual environments, creating a unique and engaging fan experience.

Music licensing:

The platform can be used to license music from music artists, allowing them to monetise their music in a new and innovative way. With Metaverse technology, music artists can create custom avatars and virtual environments that enhance their music and create a unique and memorable experience for fans.

Virtual album releases:

The platform can be used to host virtual album release parties, where music artists can preview new music, talk about the creative process, and interact with fans. With Metaverse technology, the album release can be an immersive and interactive experience for fans, creating a unique buzz around the release.

Music education:

The platform can be used to offer music education programs, where music artists can teach fans about music theory, songwriting, production, and other aspects of the music industry. With Metaverse technology, music education can be a fun and engaging experience, with interactive tools and virtual environments to enhance the learning experience.

Collaborations:

The platform can be used to facilitate collaborations between music artists, allowing them to work together on new music, performances, or other projects. With Metaverse technology, music artists can collaborate in a virtual environment, with custom avatars and virtual environments to enhance the creative process.

Virtual tours:

The platform can be used to create virtual tours for music artists, allowing them to perform in multiple locations without leaving their home. With Metaverse technology, music artists can create custom virtual environments that match the theme of their music, creating a unique and immersive concert experience for fans.

Brand partnerships:

The platform can be used to offer brand partnerships to music artists, allowing them to promote products and services to their fan base. With Metaverse technology, the brand partnerships can be an immersive and interactive experience for fans, with virtual events, branded products, and custom avatars to enhance engagement.

Fan experiences:

The platform can be used to offer unique fan experiences, such as virtual backstage passes, meet and greets, and exclusive content. With Metaverse technology, music artists can create custom virtual environments and avatars to enhance the fan experience, creating a memorable and engaging experience for fans.

Web 3 Domain and Identities

Overview

Fieres Blockchain will introduce its own Web 3 domain and identity solutions, revolutionising the way domains are managed and empowering individuals with self-sovereign control over their digital identities.

Fieres Web 3 Domains

Fieres Blockchain will provide a decentralised domain name system (DNS) built on its blockchain infrastructure. Users will be able to register and manage their Web 3 domains, enabling them to own their domain names and associated content truly. Fieres Web 3 Domains will utilise the secure and high-throughput Proof-of-Authority (PoA) consensus algorithm, ensuring reliable domain registration and resolution.

Identity on Fieres Blockchain

Fieres Blockchain will support self-sovereign identity (SSI) principles, allowing individuals to have full control over their digital identities. Users will be able to create and manage their identities independently, with the assurance of privacy, security, and selective data sharing. Fieres' SSI platform will ensure that individuals can authenticate, authorise, and verify their identities across various applications and services within the Fieres ecosystem.

Data Ownership and Privacy

Fieres will prioritise data ownership, ensuring that users have complete control over their personal data. With Fieres Web 3 Domains and identities, individuals will be able to maintain ownership of their data, choosing how it is utilised and shared. This approach will promote privacy and mitigate concerns related to centralised data control.

Interoperability and Versatility

Fieres Blockchain will enable interoperability between different blockchain networks, such as Ethereum, Polygon, BSC, and Avalanche, through a bridge mechanism. This will facilitate cross-chain utility and ensure seamless integration of Fieres Web 3 Domains and identities with other decentralised ecosystems.

Fieres' Web 3 domain and identity offerings aim to provide users with secure, decentralised, and user-centric experiences. By leveraging blockchain technology and SSI principles, Fieres Blockchain will foster a more inclusive and empowered internet, where individuals will have full control over their online presence and data.

Features

In the forthcoming era, Fieres Blockchain shall unveil pioneering Web 3 domain and identity solutions that shall revolutionise the manner in which individuals engage and interact within the online realm.

Here is the future landscape of Fieres' Web 3 domain and identity offerings, drawing upon the provided pointers:

- ***Secure Domain Storage***

Fieres Blockchain shall offer cutting-edge secure domain storage, ensuring the utmost level of data integrity and privacy for users' domain-related information. Users shall be reassured that their domain data is safeguarded against any unauthorised access.

- ***Payment Address for Wallets***

Fieres shall empower users with the ability to generate unique payment addresses for their wallets, endowing them with enhanced security and streamlining transactions within the blockchain ecosystem. Users shall be able to effortlessly send and receive payments using these designated addresses.

- ***Universal Username***

Fieres shall introduce a groundbreaking universal username system that shall transcend various applications and the web. Users shall possess a singular username, seamlessly employable and universally recognised across diverse platforms, thereby simplifying the management of their digital identities and heightening user convenience.

- ***Data Ownership***

Fieres Blockchain shall champion the cause of data ownership, empowering users with complete dominion over their personal data. In the future, individuals shall retain unassailable ownership of their data, wielding full authority in dictating its usage and sharing, thereby ensuring utmost privacy and control.

- ***Truly Own Your Data***

Fieres shall empower users to truly own their data, capitalising on the decentralised nature of blockchain technology. This shall guarantee unparalleled privacy, security, and emancipation from the influence of third-party entities, bestowing upon individuals absolute sovereignty over their digital assets.

- ***Blockchain URL***

Fieres shall herald a transformative era of blockchain URLs, serving as distinct identifiers for decentralised websites and applications. These URLs shall bestow upon users the ability to access content with unrestricted freedom, exempt from any form of censorship or restrictions.

- ***Censorship-Free***

Fieres' forthcoming Web 3 domain and identity solutions shall cultivate an environment that is completely devoid of censorship. Through the decentralised nature of the blockchain, users shall communicate, share information, and express themselves without any concerns regarding censorship or limitations.

These avant-garde features shall empower users, endowing them with unparalleled control over their online presence, data, and interactions within the Fieres ecosystem, thereby shaping a truly user-centric and decentralised web.

Roadmap and Development Plan

MILESTONES AND TIMELINES

Quarter 2, 2023

- ★ Launch Of Fieres Blockchain
- ★ Blockchain Website
- ★ ICO Platform
- ★ White Paper Launch
- ★ Cross-Chain Bridge Application
- ★ Exchange Listing

Quarter 4, 2023

- ★ Play 2 Earn Game Launch (Racing And Strategy-Based Game Utilising All NFT Collections) Created And Sold As Generative NFTs
- ★ Stablecoin
- ★ Decentralised Affiliate/Referral Marketing Platform Based Rewards System Linked With All Other Applications Created In The Fieres Ecosystem

Quarter 2, 2024

- ★ Web3 Domains And Identities
- ★ Decentralised Wallet

Quarter 4, 2024

- ★ Metaverse Meeting/ Convention Platform Enabled With VR Compatibility.

Quarter 2, 2025

- ★ Remittance-Based Application Utilising Stablecoin Created On Fieres Blockchain For Easing cross border remittances.

Quarter 3, 2023

- ★ Centralised Exchange
- ★ NFT Marketplace

Quarter 1, 2024

- ★ DEX Launch With GraphQL, Token Creator, Staking And IDO Launchpad

Quarter 3, 2024

- ★ Metaverse Virtual Store Platform With Over 1000 Templates For Businesses To Sell Their Physical Items.

Quarter 1, 2025

- ★ Metaverse Music Platform

Technical and Business Development Priorities

Fieres Blockchain has laid out its technical and business development priorities for the coming years, with a focus on launching a range of Blockchain-based products and services.

In the second first quarter of 2023, Fieres Blockchain plans to launch its website and release its white paper, followed by the launch of its Blockchain. The company also plans to launch an arbitrage trading automation platform in 2023–2024. These technical priorities will help establish Fieres Blockchain as a player in the Blockchain space and pave the way for future development.

The third quarter of 2023, will see the launch of Fieres Blockchain's centralised exchange and NFT marketplace, which will allow users to trade NFTs with each other.

In the fourth quarter of 2023, Fieres will launch a P2E (play-to-earn) game that utilises all NFT collections. This will give users the opportunity to earn tokens by playing the game and reselling their NFTs for higher returns. The company also plans to launch a stablecoin as well as a decentralised Affiliate/Referral Marketing Platform (multi-level marketing) based rewards system linked with all other applications created in the Fieres ecosystem. This will allow users to earn rewards for promoting Fieres Blockchain's products and services to their network.

The first quarter of 2024 will see the launch of Fieres Blockchain's DEX (decentralised exchange) with GraphQL, token creator, staking, and IDO launchpad. These technical priorities will allow Fieres Blockchain to offer a decentralised exchange and additional financial services to its users.

The second quarter of 2024, Fieres Blockchain will introduce secure domain storage, payment addresses for wallets, universal usernames across apps and the web, data ownership, truly owning your data, blockchain URLs, and censorship-free features to enhance Web 3 domains and identities. The company also plans to launch a DEX Wallet during this time

The third quarter of 2024, Fieres Blockchain plans to launch a metaverse virtual store platform with over 1000 templates for businesses to sell their physical items. This platform will utilise stablecoin utility and NFTs to customise the stores, giving users a unique shopping experience.

In the fourth quarter of 2024, the company plans to launch a metaverse meeting/convention platform with VR enabling. This platform will allow users to attend meetings and conventions in a virtual space, improving accessibility and reducing costs.

The first quarter of 2025, we will see the launch of our Metaverse Music Platform. This opens up new avenues for artists to connect with their fans, showcase their talent, and create immersive experiences in the virtual world.

In the second quarter of 2025, the company plans to launch a remittance-based application utilising stablecoin created on Fieres Blockchain for easing cross-border remittances.

Legal and Regulatory Compliance

Privacy Policy

THIS PRIVACY POLICY WILL EXPLAIN HOW FIERES USES THE PERSONAL INFORMATION WE COLLECT WHEN YOU USE OUR WEBSITE. AS USED HEREIN, PERSONAL DATA REFERS TO DATA THAT SPECIFICALLY OR INDIRECTLY IDENTIFIES OR IS REASONABLY CAPABLE OF IDENTIFYING AN INDIVIDUAL, AS WELL AS DATA THAT CAN BE LINKED TO A KNOWN OR REASONABLY IDENTIFIABLE INDIVIDUAL.

WHAT DATA DO WE COLLECT?

Information we collect includes both information you knowingly and actively provide us when using or participating in any of our services and promotions and any information automatically sent by your devices in the course of accessing our products and services, as well as information we obtain through third-party sources.

HOW DO WE COLLECT YOUR PERSONAL DATA?

Personal Data we could collect from you:

Directly from you, we can collect the following categories of Personal Data:

Personal information, such as a person's first and last name, email address, username, password, phone number, and mailing address and any other information you directly provide to us on or through the services;

Transaction information, such as trading, order activity, deposits, withdrawals, account balances and other commercial activity;

Communications, including details you give in correspondence, such as account registration, support requests and customer service;

Sensory information, such as images that you upload to your User Account.

Personal Data, we collect automatically:

Through your use of our services, we can automatically collect the following categories of Personal Data:

Internet identifiers like IP addresses and domain names;

Usage data, such as system operation, and internal and external information related to sites that you visit;

Device information, such as hardware, operating system, and browser;

Data on geolocation;

Cookies can be used to collect Personal Data automatically.

Personal Data, we could collect from third parties:

Third-party sources can be used to obtain and/or validate the following types of

Personal Data about you:

Personal information, such as a person's name, email address, phone number, and mailing address;

Transaction information, such as public Blockchain data;

Analytics information, provided by third-party analytics services that we engage to help analyze how users use our services;

HOW WILL WE USE YOUR DATA?

We collect Personal Data about you in order to give you the best possible experience, protect you from the risks of inappropriate use and fraud, and help us retain and develop our Services. We can use your Personal Data in the following ways, in order to:

Provide and administer our services to you. In accordance with our Terms and Conditions, we use your Personal Data to provide you with our Services and comply with all relevant laws and regulations. Your Personal Data is processed in accordance with relevant laws and regulations.

Operate, maintain, improve, personalise, and analyse our services.

Facilitate the creation of your Account on Fieres Blockchain and its security (including possible multi-step verification).

Notify you about important changes to our services, such as security or support and maintenance advisories.

Inform you about other news about our services or any features and content thereon, including newsletters, surveys, offers, promotions, contests, and events via optional newsletters and emails, as described in the section below.

Detect, prevent or investigate security breaches, fraud and any other unauthorised or illegal activity. We use your Personal Data to identify and prevent account fraud, as well as other prohibited activities.

Ensure the protection and security of our facilities. To keep your account and Fieres Blockchain safe, we use your Personal Data, which includes information about your computer and your behaviour on Fieres Blockchain.

Assist you with customer service, care and support. When you contact our support team with questions or concerns about your account, we process your Personal Data.

Promote our goods. We may contact you to provide you with information about our products and services. Only with your permission, which you may revoke at any time, will we do so.

Other commercial uses. If the intent is revealed to you before we collect the information or if you agree, we can use your Personal Data for additional purposes.

MARKETING

Fieres Blockchain would like to periodically send you promotional information about products and services of ours that we think you might like.

If you have agreed to receive marketing communications, you may always opt-out at a later date.

You have the right at any time to request Fieres Blockchain to stop contacting you for marketing purposes.

WHAT ARE YOUR DATA PROTECTION RIGHTS?

Fieres Blockchain would like to make sure you are fully aware of all your data protection rights. Every user is entitled to the following:

The right to access – You have the right to request Fieres Blockchain for copies of your personal data.

The right to rectification – You have the right to request that Fieres Blockchain correct any information you believe is inaccurate. You also have the right to request Fieres Blockchain to complete the information you believe is incomplete.

The right to erasure – You have the right to request that Fieres Blockchain erase your personal data, under certain conditions.

The right to restrict processing – You have the right to request that Fieres Blockchain restrict the processing of your personal data, under certain conditions.

The right to object to processing – You have the right to object to Fieres Blockchain's processing of your personal data, under certain conditions.

The right to data portability – You have the right to request that Fieres Blockchain transfer the data that we have collected to another organisation, or directly to you, under certain conditions.

If you make a request, we have one month to respond to you. If you would like to exercise any of these rights, please contact us at support@fieres.com

COOKIES

Cookies are text files placed on your computer to collect standard Internet log information and visitor behaviour information. When you visit our Website, we may collect information from you automatically through cookies or similar technology.

HOW DO WE USE COOKIES?

Fieres Blockchain uses cookies in a range of ways to improve your experience on our website, including

Functionality. We use cookies to ensure that the Website functions properly, including page loads, keeping you signed in and saving preferences.

Performance and Analytics. We use Cookies to gather usage and performance data. This enables us to understand how you use our website and to monitor and improve Fieres Blockchain's performance, our services, and your experience, as well as to detect, prevent and address technical issues.

HOW TO MANAGE COOKIES

You can set your browser not to accept cookies, and the above website tells you how to remove cookies from your browser. However, in a few cases, some of our website features may not function as a result.

CHANGES TO THIS PRIVACY POLICY

At our discretion, we may change our privacy policy to reflect updates to our business processes, current acceptable practices, or legislative or regulatory changes. If we decide to change this privacy policy, we will post the changes here at the same link by which you are accessing this Privacy Policy.

If required by law, we will get your permission or give you the opportunity to opt in to or opt out of, as applicable, any new uses of your personal information.

HOW TO CONTACT US

If you have any questions about Fieres Blockchain's privacy policy, the data we hold on you (if any), or if you would like to exercise one of your data protection rights, please do not hesitate to contact us.

Terms & Conditions

Acceptance of Terms & Conditions

By accessing this website, you acknowledge that you have read, understand and accept the terms and conditions of use described below. If you do not understand or accept these terms and conditions of use, which you are required to abide by, you should immediately exit this website.

Fieres Blockchain (Limited) (“Company”, “We” or “Us” and their connotations) operates a website (<https://fiero.io> or the POC applications / any kind of software builds) (together called as “Platform”) which is engaged in the service of online education through the means of a metaverse of various subjects to the audience.

These terms and conditions (“Terms”) describe the terms on which the Company grants end users access to the Platform (hereinafter referred to as “Services”) and shall be read with the privacy policy available on the website. Anyone below 18 years of age is assumed to be a child (“Child”) and requires parental consent to use the Platform. The parents of the Child or users above 18 years of age are hereinafter referred to as “you”, “your” or “yours”. The term “Users” for the purposes of these Terms shall be read as You and/or Child. Users also include all persons who access, browse, or sign up on the Platform for applying to teach on the Platform (“Applicant(s)”) and those selected to teach on the Platform (“Instructor(s)”).

Copyright Notice and Limited Authorisation

Everything on this website is copyrighted. All copyrights are owned by Fieres Blockchain and/or its subsidiaries or a third-party original creator (“Third Party”) of the material (“Third Party Materials”). You are free to view, copy and print the Fieres Blockchain Material found on this website as long as

- ◆ *The Fieres Blockchain (Limited) Material is used by you for information purposes only and not further distributed except in situations when you intend to use the Fieres Blockchain Materials for non-commercial purposes only.*
- ◆ *Unless otherwise authorised by Fieres Blockchain or you have a license or authorisation directly granted by the Third Party, you are not authorised to copy and/or print the Third Party*

Materials that are copyrighted materials provided at this website. Business partners, customers, suppliers, associates of Fieres Blockchain and other Third Parties that, in cooperation with Fieres Blockchain, publish their own proprietary material on this website retain full legal and copyright ownership of their respective material.

Username and Password

In order to access the Company's Platform and its services, You may have to create an account and disclose information including, but not limited to,

- (i) name, e-mail ID, photograph, location and other contact information
- (ii) gender and other demographics
- (iii) birth date and year to validate your current age or of your Child
- (iv) your email address to acquire the parental consent. You must be at least 18 years old to register on the Platform.

If you are under 18 years old, you are not permitted to register on this site unless such registration is completed by a parent or legal guardian. You acknowledge that your user ID and password ("Participant Account") are for your exclusive use only. Use or sharing of your Participant Account with another user or person is not permitted and is cause for the immediate blocking of your access to the Platform, the Services and the content provided by the Company and shall lead to termination of this Agreement without any notice.

You are solely responsible for maintaining the confidentiality of your Participant Account and for all activities that occur under it. You agree to immediately notify the Company if you become aware of or have reason to believe that there is any unauthorised use of your Participant Account. You also agree to take all reasonable steps to stop such unauthorised use and to cooperate with the Company in any investigation of such unauthorised uses. The Company shall not under any circumstances be held liable for any claims related to the use or misuse of your Participant Account due to the activities of any third party outside of your control or due to your failure to maintain the confidentiality and security of your Participant Account.

Use of the Platform by the Child

You as a parent/guardian expressly acknowledge and undertake that:

You are competent and have all the necessary legal rights to enter into this agreement on behalf of your child.

You grant your consent to the Company for your child to attend and participate in the classes, courses, tests, sessions and/or any other program conducted and/or organised by the Company on its Platform and in relation to the services provided by the Company.

You undertake that the participation of the Child and all the activities done by the Child will be under your direct and constant supervision. You further accept full and complete liability arising out of the child's acts, whether direct or indirect.

License to Use

The Company hereby grants You the limited, non-transferable, non-exclusive, and revocable license to access, view and use the Platform only for the purposes of accessing, viewing, posting or submitting user material, using the embedded link function, placing store orders or for accessing information, applications and services. The Company reserves the right to suspend or deny, in its sole discretion, your access to all or any portion of the Platform. This license is limited to personal and non-commercial uses by You. Any rights not expressly granted to You herein are reserved to the Company.

You are not permitted to reproduce, transmit, distribute, sublicense, broadcast, disseminate, or prepare derivative works of the Curriculum, or any part thereof, in any manner or through any communication channels or means, for any purpose other than the limited purpose mentioned above, without the Company's prior written consent.

Privacy Statement

Fieres Blockchain Privacy Policy accessed through this website is an integral part of these Terms & Conditions that you are deemed to have acknowledged that you have read, understood and accepted by accessing the Fieres Blockchain website.

Third-Party Copyrights and the Copy Right Agent

Fieres Blockchain is committed to respecting the intellectual property ownership rights of others, and we require that the users of and visitors to our websites do the same. Fieres Blockchain may, in its sole discretion, terminate the accounts or access rights of users or visitors who violate the intellectual property ownership rights of Fieres Blockchain and others.

If you have good reasons to believe that materials in which you have intellectual property ownership rights have been copied in a way that constitutes a copyright infringement on our websites, please provide the following information to the Fieres Blockchain Copyright Team:

- ◆ An electronic or hard copy signature of the person authorised to act on behalf of the copyright owner;
- ◆ A description of the copyrighted work that you have good reason to believe has been infringed;
- ◆ A description as to where the copyrighted materials you believe is infringing is located on our website;
- ◆ Your address, telephone number, and email address so that we may contact you;

- A certified statement by you that has a good faith belief that the disputed use is not authorised by the copyright owner, its agent, or the law; and
- A statement by you, made under penalty of perjury, that the information in your notice to us is accurate and that you are the copyright owner or authorised to act on behalf of the copyright owner.

Fieres Blockchain Copyright Team for notice of Claims of copyright infringement on our website or for requests for additional use of materials can be reached at support@fieres.io

Trademarks

Fieres Blockchain and the Fieres Blockchain logos are trademarks of Nexarise European Services Limited . All other trademarks are the property of their respective owners.

Warranty Disclaimer

While Fieres Blockchain attempts to provide accurate information on this website, it assumes no responsibility for inaccuracy. Fieres Blockchain may change the information and/or materials available at this website or the products and services mentioned, at any time and without prior notice. Information may include technical inaccuracies or typographical errors.

Fieres Blockchain does not warrant that the electronic functions contained in or on this website will be uninterrupted or error-free, that defects will be corrected, or that this website, or the server that makes it available, are free of viruses or bugs or represents full functionality, accuracy or reliability of the information available through this website.

Information and/or materials on this website are provided "AS IS" and do not constitute a warranty of any kind, either expressed or implied. Fieres Blockchain disclaims all warranties, expressed or implied, which include, but is not limited to, implied warranties of merchantability, fitness for a particular purpose, and/or non-infringement. Except where prohibited by law, this disclaimer also includes any expressed or implied warranties arising from any course of dealing, usage, or trade practice.

You are responsible for implementing sufficient procedures and checkpoints to satisfy your particular requirements for the accuracy of data input and output and for maintaining means for the reconstruction of lost data.

Limitation of Liability

Neither Fieres Blockchain nor any of its affiliates, subsidiaries, parent or sister companies, or their respective directors, employees or other representatives will be liable for any direct, indirect, special, incidental, punitive and/or consequential damages arising out of use, or the inability to use, the information and/or materials on this website. This limitation of liability includes, but is not limited to, loss of data, loss of revenues, loss of savings, loss of business, loss of reputation, loss of profits and/or any economic loss in connection with the furnishing, performance, or use or inability to use this website or reliance on the information and/or materials contained in this website; even if Fieres Blockchain is advised of the possibility of such damages.

Termination of Use

Fieres Blockchain may, at its option, terminate, without notice and with or without cause, any person or entity's access to the website, especially upon any breach of these Terms & Conditions, and without prejudice to Fieres Blockchain right to make a claim of compensation for damages.

Links

Although this website may contain links to third-party sites, Fieres Blockchain, is not responsible for the content of any such third-party linked sites. Fieres Blockchain provides these third party links as a convenience and does not endorse the companies or contents of any such linked sites.

Links to Fieres Blockchain platform for any purpose not expressed in these terms may be reproduced only with prior permission from Fieres Blockchain.

Posting and Submitting of Information

You are prohibited from posting or transmitting any unlawful, threatening, obscene, libellous, or otherwise offensive materials on or through this website.

Any material, information or idea submitted or posted on this website by you will be considered non-confidential and non-proprietary. Fieres Blockchain may share or otherwise use your submission for any purpose whatsoever without your consent. If any of the materials or information submitted constitutes personal data, you agree that Fieres Blockchain may transmit such personal data across international boundaries for any Fieres Blockchain business purpose. Personal data will be treated as set forth in the Privacy Policy, as provided on this website.

Jurisdiction and Choice of Laws

These Terms & Conditions and all claims or issues regarding this website shall be governed according to the laws of Poland, to the exclusion of its conflict of law provisions.

Modification of Terms & Conditions

These Terms & Conditions were last updated on 14th April 2023

Fieres Blockchain reserves the right to change these Terms & Conditions at any time without prior written notification. Notwithstanding the aforementioned, any new Terms & Conditions will only apply to users upon acceptance thereof on their initial login and for previous users upon such user's first subsequent login after such modifications.

Token Disclaimer

PLEASE READ THE ENTIRETY OF THIS "NOTICE AND DISCLAIMER" SECTION CAREFULLY. NOTHING HEREIN CONSTITUTES LEGAL, FINANCIAL, BUSINESS OR TAX ADVICE, AND YOU SHOULD CONSULT YOUR OWN LEGAL, FINANCIAL, TAX OR OTHER PROFESSIONAL ADVISOR(S) BEFORE ENGAGING IN ANY ACTIVITY IN CONNECTION HEREWITH. NEITHER FIERES Blockchain LTD. (THE COMPANY), ANY OF THE PROJECT TEAM MEMBERS (THE FIERES BLOCKCHAIN TEAM) WHO HAVE WORKED ON FIERES Blockchain (AS DEFINED HEREIN) OR PROJECT TO DEVELOP FIERES Blockchain IN ANY WAY WHATSOEVER, ANY DISTRIBUTOR/VENDOR OF FIERO TOKENS (THE DISTRIBUTOR), NOR ANY SERVICE PROVIDER SHALL BE LIABLE FOR ANY KIND OF DIRECT OR INDIRECT DAMAGE OR LOSS WHATSOEVER WHICH YOU MAY SUFFER IN CONNECTION WITH ACCESSING THE PAPER, DECK OR MATERIAL RELATING TO FIERO (THE TOKEN DOCUMENTATION) AVAILABLE ON THE WEBSITE AT <https://fieres.io> (THE WEBSITE, INCLUDING ANY SUB-DOMAINS THEREON) OR ANY OTHER WEBSITES OR MATERIALS PUBLISHED BY THE COMPANY.

PROJECT PURPOSE

You agree that you are acquiring FIERO to participate in Fieres Blockchain and to obtain services on the ecosystem thereon. The Company, the Distributor and their respective affiliates would develop and contribute to the underlying source code for Fieres Blockchain. The Company is acting solely as an arms' length third party in relation to the FIERO TOKEN distribution and not in the capacity as a financial advisor or fiduciary of any person with regard to the distribution of FIERO.

NATURE OF THE DOCUMENTATION:

The Token Documentation is a conceptual paper that articulates some of the main design principles and ideas for the creation of a digital token to be known as \$FIERO. The Token Documentation and the Website are intended for general informational purposes only and do not constitute a prospectus, an offer document, an offer of securities, a solicitation for investment, any offer to sell any product, item, or asset (whether digital or otherwise), or any offer to engage in business with any external individual or entity provided in said documentation. The information herein may not be exhaustive and does not imply any element of, or solicit in any way, a contractual relationship. There is no assurance as to the accuracy or completeness of such information, and no representation, warranty or undertaking is or purported to be provided as to the accuracy or completeness of such information. Where the Token Documentation or the Website includes information that has been obtained from third-party sources, the Company, the Distributor, their respective affiliates and/or the Fieres Blockchain team have not independently verified the accuracy or completeness of such information. Further, you acknowledge that circumstances may change and that the Token Documentation or the Website may become outdated as a result; and neither the Company nor the Distributor is under any obligation to update or correct this document in connection therewith.

TOKEN DOCUMENTATION

Nothing in the Token Documentation or the Website constitutes any offer by the Company, the Distributor, or the Fieres Blockchain team to sell any FIERO (as defined herein), nor shall it or any part of it nor the fact of its presentation form the basis of, or be relied upon in connection with, any contract or investment decision. Nothing contained in the Token Documentation or the Website is or may be relied upon as a promise, representation or undertaking as to the future performance of Fieres Blockchain. The agreement between the Distributor (or any third party) and you, in relation to any distribution or transfer of FIERO, is to be governed only by the separate terms and conditions of such agreement.

The information set out in the Token Documentation and the Website is for community discussion only and is not legally binding. No person is bound to enter into any contract or binding legal commitment in relation to the acquisition of FIERO, and no digital asset or other forms of payment is to be accepted on the basis of the Token Documentation or the Website. The agreement for distribution of FIERO and/or continued holding of FIERO shall be governed by a separate set of Terms and Conditions or Token Distribution Agreement (as the case may be) setting out the terms of such distribution and/or continued holding of FIERO (the Terms and Conditions), which shall be separately provided to you or made available on the Website. The Terms and Conditions must be read together with the Token Documentation. In the event of any inconsistencies between the Terms and Conditions and the Token Documentation or the Website, the Terms and Conditions shall prevail.

DEEMED REPRESENTATIONS AND WARRANTIES

By accessing the Token Documentation or the Website (or any part thereof), you shall be deemed to represent and warrant to the Company, the Distributor, their respective affiliates, and the Fieres Blockchain team as follows:

(a) in any decision to acquire any FIERO, you have not relied on and shall not rely on any statement set out in the Token Documentation or the Website;

(b) you will and shall at your own expense ensure compliance with all laws, regulatory requirements and restrictions applicable to you (as the case may be);

(c) you acknowledge, understand and agree that FIERO may have no value, there is no guarantee or representation of value or liquidity for FIERO, and FIERO is not an investment product nor is it intended for any speculative investment whatsoever;

(d) none of the Company, the Distributor, their respective affiliates, and/or the Fieres Blockchain team members shall be responsible for or liable for the value of FIERO, the transferability and/or liquidity of FIERO and/or the availability of any market for FIERO through third parties or otherwise; and

(e) you acknowledge, understand and agree that you are not eligible to participate in the distribution of FIERO if you are a citizen, national, resident (tax or otherwise), domiciliary and/or green card holder of a geographic area or country

(i) where it is likely that the distribution of FIERO would be construed as the sale of a security (howsoever named), financial service or investment product and/or

(ii) where participation in token distributions is prohibited by applicable law, decree, regulation, treaty, or administrative act (including without limitation the United States of America, Canada, and the People's Republic of China); and to this effect you agree to provide all such identity verification document when requested in order for the relevant checks to be carried out.

The Company, the Distributor and the Fieres Blockchain team do not and do not purport to make, and hereby disclaims, all representations, warranties or undertaking to any entity or person (including without limitation warranties as to the accuracy, completeness, timeliness, or reliability of the contents of the Token Documentation or the Website, or any other materials published by the Company or the Distributor). To the maximum extent permitted by law, the Company, the Distributor, their respective affiliates and service providers shall not be liable for any indirect, special, incidental, consequential or other losses of any kind, in tort, contract or otherwise (including, without limitation, any liability arising from default or negligence on the part of any of them, or any loss of revenue, income or profits, and loss of use or data) arising from the use of the Token Documentation or the Website, or any other materials published, or its contents (including without limitation any errors or omissions) or otherwise arising in connection with the same. Prospective acquirors of FIERO should carefully consider and evaluate all risks and uncertainties (including financial and legal risks and uncertainties) associated with the distribution of FIERO, the Company, the Distributor and the Fieres Blockchain team.

FIERO TOKEN

(a) does not have any tangible or physical manifestation, and does not have any intrinsic value (nor does any person make any representation or give any commitment as to its value);

(b) is non-refundable and cannot be exchanged for cash (or its equivalent value in any other digital asset) or any payment obligation by the Company, the Distributor or any of their respective affiliates;

(c) does not represent or confer on the token holder any right of any form with respect to the Company, the Distributor (or any of their respective affiliates), or its revenues or assets, including without limitation any right to receive future dividends, revenue, shares, ownership right or stake, share or security, any voting, distribution, redemption, liquidation, proprietary (including all forms of intellectual property or licence rights), right to receive accounts, financial statements or other financial data, the right to requisition or participate in shareholder meetings, the right to nominate a director, or other financial or legal rights or equivalent rights, or intellectual property rights or any other form of participation in or relating to Fieres Blockchain, the Company, the Distributor and/or their service providers;

(d) is not intended to represent any rights under a contract for differences or under any other contract the purpose or pretended purpose of which is to secure a profit or avoid a loss;

(e) is not intended to be a representation of money (including electronic money), security, commodity, bond, debt instrument, unit in a collective investment scheme or any other kind of financial instrument or investment;

(f) is not a loan to the Company, the Distributor or any of their respective affiliates, is not intended to represent a debt owed by the Company, the Distributor or any of their respective affiliates and there is no expectation of profit; and

(g) does not provide the token holder with any ownership or other interest in the Company, the Distributor or any of their respective affiliates. Notwithstanding the FIERO distribution, users have no economic or legal right over or beneficial interest in the assets of the Company, the Distributor, or any of their affiliates after the token distribution.

To the extent a secondary market or exchange for trading FIERO does develop, it would be run and operated wholly independently of the Company, the Distributor, and the distribution of FIERO and Fieres Blockchain. Neither the Company nor the Distributor will create such secondary markets, nor will either entity act as an exchange for FIERO.

INFORMATIONAL PURPOSES ONLY

The information set out herein is only conceptual and describes the future development goals for Fieres Blockchain to be developed. In particular, the project roadmap in the Token Documentation is being shared in order to outline some of the plans of the Fieres Blockchain team and is provided solely for INFORMATIONAL PURPOSES and does not constitute any binding commitment. Please do not rely on this information in deciding whether to participate in the token distribution because, ultimately, the development, release, and timing of any products, features, or functionality remains at the sole discretion of the Company, the Distributor or their respective affiliates and is subject to change. Further, the Token Documentation or the Website may be amended or replaced from time to time. There are no obligations to update the Token Documentation or the Website or to provide recipients with access to any information beyond what is provided herein.

REGULATORY APPROVAL

No regulatory authority has examined or approved, whether formally or informally, any of the information set out in the Token Documentation or the Website. No such action or assurance has been or will be taken under the laws, regulatory requirements or rules of any jurisdiction. The publication, distribution or dissemination of the Token Documentation or the Website does not imply that the applicable laws, regulatory requirements or rules have been complied with.

CAUTIONARY NOTE ON FUTURE-LOOKING STATEMENTS

All statements contained herein, statements made in press releases or in any place accessible by the public and oral statements that may be made by the Company, the Distributor and/or the Fieres Blockchain team may constitute forward-looking statements (including statements regarding the intent, belief or current expectations with respect to market conditions, business strategy and plans, financial condition, specific provisions and risk management practices). You are cautioned not to place undue reliance on these forward-looking statements given that these statements involve known and unknown risks, uncertainties and other factors that may cause the actual future results to be materially different from that described by such forward-looking statements, and no independent third party has reviewed the reasonableness of any such statements or assumptions. These forward-looking statements are applicable only as of the date indicated in the Token Documentation, and the Company, the Distributor as well as the Fieres Blockchain team expressly disclaim any responsibility (whether express or implied) to release any revisions to these forward-looking statements to reflect events after such date.

REFERENCES TO COMPANIES AND PLATFORMS

The use of any company and/or platform names or trademarks herein (save for those which relate to the Company, the Distributor or their respective affiliates) does not imply any affiliation with, or endorsement by, any third party. References in the Token Documentation or the Website to specific companies and platforms are for illustrative purposes only.

ENGLISH LANGUAGE

The Token Documentation and the Website may be translated into a language other than English for reference purposes only, and in the event of conflict or ambiguity between the English language version and translated versions of the Token Documentation or the Website, the English language versions shall prevail. You acknowledge that you have read and understood the English language version of the Token Documentation and the Website.

NO DISTRIBUTION

No part of the Token Documentation or the Website is to be copied, reproduced, distributed or disseminated in any way without the prior written consent of the Company or the Distributor. By attending any presentation on this Token Documentation or by accepting any hard or soft copy of the Token Documentation, you agree to be bound by the foregoing limitations.

Conclusion

Recap of Contributions and Innovations

Racing-based P2E: Fieres Blockchain introduces a play-to-earn system that rewards gamers with tokens for playing games on the platform, incentivising more users to join.

NFT Marketplace: Fieres Blockchain offers a marketplace for buying, selling, and trading non-fungible tokens (NFTs), providing creators with a platform to monetise their digital content and collectors with a secure trading platform.

Fierex Centralised Exchange: Fieres Blockchain features a centralised exchange that allows users to trade cryptocurrencies and tokens with a user-friendly interface, high liquidity, and low trading fees.

Dex Wallet: Fieres Blockchain provides a mobile wallet for users to store and manage their tokens on the platform.

Stablecoin: Fieres Blockchain introduces a stablecoin that is pegged to the value of a fiat currency, commodity, or cryptocurrency, enabling users to hedge against volatility in the cryptocurrency market.

Metaverse virtual store platform: Fieres Blockchain enables users to buy and sell virtual items and assets in the metaverse, creating new opportunities for virtual commerce.

Decentralised Affiliate/ Referral marketing application: Fieres Blockchain offers a decentralised multi-level marketing (Affiliate/Referral Marketing Platform) platform that allows users to earn rewards for referring new users to the ecosystem.

Remittance-based application: Fieres Blockchain features an application that enables users to send and receive money across borders using the Blockchain, providing a secure and efficient way for remittances.

Metaverse meeting/convention platform with VR enabling:

Fieres Blockchain provides a platform for hosting and attending meetings and conventions in the metaverse using virtual reality (VR) technology, creating immersive virtual experiences.

Metaverse for Music Artists: Fieres Blockchain plans to create a Metaverse for artists, allowing fans to interact with them virtually and experience their music in a new way.

DEX with AMM: Fieres Blockchain is developing a decentralised exchange (DEX) with an automated market maker (AMM) feature, allowing users to trade cryptocurrencies in a secure and decentralised manner.

These contributions and innovations demonstrate Fieres Blockchain's commitment to creating a dynamic and innovative Blockchain platform that offers a wide range of features and opportunities for its users. With its unique offerings, Fieres aims to redefine finance and drive the adoption of Blockchain technology in various industries. Overall, Fieres Blockchain strives to bring cutting-edge solutions to the Blockchain space and contribute to the growth and advancement of the crypto ecosystem. Whether it's through play-to-earn gaming, NFT trading, decentralised exchanges, or other innovative features, Fieres Blockchain aims to provide value and opportunities for its community and stakeholders.

Future Work and Research Directions

- ♦ **Scaling Solutions:** As Blockchain technology continues to evolve, Fieres Blockchain will explore various scaling solutions such as sharding, side chains, and state channels to enhance the network's scalability and transaction throughput.
- ♦ **Governance Mechanisms:** Fieres Blockchain will continue to develop and refine its governance mechanisms to ensure decentralised decision-making and community participation in the development and evolution of the Blockchain. This may include the introduction of voting systems, consensus on protocol upgrades, and community-driven initiatives.
- ♦ **Research on Consensus Mechanisms:** Fieres Blockchain will actively research and evaluate different consensus mechanisms to improve the security, efficiency, and scalability of the Blockchain. This may include exploring novel consensus algorithms and hybrid approaches to achieve consensus among network participants.
- ♦ **Smart Contract Development Tools:** Fieres Blockchain will continue to invest in the development of user-friendly smart contract development tools and frameworks to facilitate the creation of decentralised applications (dApps) and smart contracts on the Blockchain.
- ♦ **Partnerships and Ecosystem Expansion:** Fieres Blockchain will actively seek partnerships with other Blockchain projects, businesses, and developers to expand its ecosystem and foster collaboration in the Blockchain space. This may involve exploring opportunities for cross-chain collaborations, joint ventures, and ecosystem development initiatives.

- ◆ **Community Engagement and Education:** Fieres Blockchain will continue to engage with its community and educate users, developers, and stakeholders about the benefits and potential of Blockchain technology. This may involve organising workshops, meetups, and educational programs to promote Blockchain awareness and adoption.
- ◆ **Use Case Development:** Fieres Blockchain will continue to explore and develop new use cases for Blockchain technology across various industries such as gaming, finance, supply chain management, healthcare, and more. This may involve collaborating with industry partners to pilot and implement Blockchain solutions in real-world scenarios.
- ◆ **Research on Emerging Technologies:** Fieres Blockchain will keep a close eye on emerging technologies such as quantum computing, Internet of Things (IoT), and artificial intelligence (AI), and their potential impact on Blockchain. Research will be conducted to understand the implications and potential solutions to address any challenges that may arise from these emerging technologies.

Fieres Blockchain remains committed to pushing the boundaries of Blockchain technology and driving innovation to create a more decentralised, secure, and user-friendly Blockchain ecosystem. The future work and research directions outlined above will guide the development and evolution of the Fieres Blockchain as it continues to redefine the future of finance and technology.

Call to action for stakeholders to participate in the ecosystem

All stakeholders who actively participate in our ecosystem will not only contribute to the growth and development of Fieres but also position themselves at the forefront of cutting-edge technology.

Now is the opportune moment to engage with our project and explore the remarkable returns and long-term value that Fieres holds. By supporting our mission, users will not only foster innovation but also benefit from the growth potential of a revolutionary blockchain solution.

For developers and entrepreneurs

We encourage stakeholders to delve into the Fieres blockchain and leverage its robust infrastructure to create groundbreaking decentralised applications. With Fieres, stakeholders can unlock new possibilities, disrupt traditional industries, and drive the global adoption of blockchain technology.

For industry leaders and policymakers

We urge stakeholders to recognise the transformative power of Fieres and embrace its potential to enhance transparency, security, and efficiency across various sectors. By collaborating with us and integrating Fieres into existing systems, we can collectively create a more inclusive, fair, and prosperous future.

Stakeholder participation and collaboration are vital to the success of the Fieres blockchain.

Here are some key points to consider:

Embrace Innovation

The Fieres blockchain represents a paradigm shift in conducting transactions, storing data, and establishing trust. By embracing this innovation, the user has an opportunity to stay ahead of the curve and gain a competitive edge in their respective industries. Embrace the potential of Fieres and explore how it can reshape your business landscape.

Collaborate and Engage

Collaboration is key to driving the adoption and growth of the Fieres blockchain. We encourage stakeholders to actively engage with our development team, participate in forums, and share their ideas and feedback. Together, we can collectively refine and enhance the Fieres blockchain to meet the evolving needs of the market.

Pilot Projects and Proof of Concepts

Implementing pilot projects and proof of concepts can provide tangible evidence of the value and benefits of the Fieres blockchain. We urge stakeholders to consider exploring small-scale initiatives within their organisations to demonstrate the efficacy and potential of the technology. Doing so lets you gain firsthand experience and gather valuable insights to inform larger-scale deployments.

Regulatory and Legal Considerations

As the Fieres blockchain ecosystem evolves, it is crucial to address regulatory and legal considerations. We encourage stakeholders to work closely with regulatory bodies, legal experts, and policymakers to ensure compliance and foster a favorable environment for the adoption of blockchain technology. By actively engaging in these discussions, you can shape the regulatory landscape and create a secure and supportive ecosystem.

Spread Awareness

Advocacy and education are vital in driving the widespread adoption of the Fieres blockchain. We encourage stakeholders to share knowledge, experiences, and success stories within their networks. By raising awareness about the benefits and applications of Fieres, you can inspire others to explore and embrace this transformative technology.

Together, let us embark on this journey towards a decentralised future powered by the Fieres blockchain. Join us today and become part of a global movement that aims to revolutionise the way we live, work, and interact with technology.

The time for action is now, and the possibilities with the Fieres Ecosystem are limitless.